



江苏图胜离心机制造有限公司

地址: 中国江苏省张家港市锦丰镇锦南路2号
电话: 0512-5818 0958
传真: 0512-5818 0958

售后服务电话: 0512-5818 0958
网址: www.tslxj.com.cn
邮箱: sales@tslxj.com.cn

Jiangsu Tusheng Centrifuge Manufacturing Co., Ltd.

Add: NO.2, Jinnan Road, Jinfeng Town,
Zhangjiagang, Jiangsu, China

Tel: +86-512-5818 0958
Fax: +86-512-5818 0958
Service Telephone: +86-512-5818 0958

Web: www.tslxj.com.cn
Email: sales@tslxj.com.cn



Website

CRAFTSMAN SPIRIT
CREATE SUPERIOR QUALITY
工匠精神·打造卓越品质

江苏图胜
JIANGSU TUSHENG



CRAFTSMAN SPIRIT
CREATE SUPERIOR QUALITY

工匠精神·打造卓越品质



企业概况

图胜致力为您提供优质的产品

COMPANY PROFILE

Tusheng is committed to providing you with high quality products



Well-experienced
经验丰富



Quality First
质量至上



Unlimited Innovation
无限创新



Good Service
优质服务

江苏图胜离心机制造有限公司坐落在美丽锦绣江南--张家港市，距离上海虹桥机场120公里，苏南硕放机场50公里，高速公路、高铁等设施齐全，交通便捷。

江苏图胜离心机制造有限公司成立于2018年，公司引进过滤分离方面的高端技术人才，科研团队和管理人才。具有丰富的分离设备设计、制造经验，公司一直致力于离心机的研发、生产和销售，产品通过ISO9001:2000质量体系认证，公司顺利通过高新技术企业认定。公司生产的离心机广泛应用于制药、化工、新能源、环保、食品、制盐等多种领域。

公司占地面积25000平方米，厂房面积超过15000平方米。拥有大型立车、加工中心、龙门、数控车床、数控镗床、液压机、剪板机、折弯机、卷板机、X射线探伤仪、激光切割机、万能材料试验机、动平衡机、三坐标测量仪等各类加工检测设备百余套。生产的离心机品种齐全，主要包括上部卸料PSB、PSD，下部卸料自动刮刀PGD、LGZ、PGZ、PAUT，卧式螺旋卸料LW、LLW、LLWZ，卧式刮刀GK、GKH、GKC等。

公司针对行业需求，为制药、化工、新能源、环保、食品、制盐等工业过滤分离工序提供技术先进的分离设备，与客户实现技术共享。

精益求精-追求技术领先，工匠精神-打造卓越品质，精诚合作-实现客户共赢是我们的企业愿景，力争把江苏图胜打成一个技术先进、质量稳定、服务一流的智能化装备企业。

Jiangsu Tusheng Centrifuge Manufacturing Co., Ltd. is located in the beautiful Jiangnan - Zhangjiagang City, 120 kilometers from Shanghai Hongqiao Airport, Sunan Shuofang airport 50 kilometers, highways, high-speed rail and other facilities, convenient transportation.

Jiangsu Tusheng Centrifuge Manufacturing Co., Ltd. was established in 2018, and the company has introduced high-end technical talents, scientific research teams and management talents in filtration and separation. With rich experience in the design and manufacture of separation equipment, the company has been committed to the research and development, production and sales of centrifuges. The products have passed ISO9001:2000 quality system certification and the company has successfully passed the identification of high-tech enterprises. The centrifuges produced by the company are widely used in pharmaceutical, chemical, new energy, environmental protection, food, salt and other fields.

The company covers an area of 25,000 square meters, the plant area of more than 15,000 square meters. With large vertical car, machining center, gantry, CNC lathe, CNC boring machine, hydraulic machine, shearing machine, bending machine, plate rolling machine, X-ray flaw detector, laser cutting machine, universal material testing machine, dynamic balancing machine, three coordinate measuring instrument and other processing and testing equipment more than 100 sets. The production of centrifuge varieties are complete, including upper discharge PSB, PSD, lower discharge automatic scraper PGD, LGZ, PGZ, PAUT, horizontal screw discharge LW, LLW, LLWZ, horizontal scraper GK, GKH, GKC and so on.

According to the needs of the industry, the company provides technologically advanced separation equipment for the filtration and separation process of pharmaceutical, chemical, new energy, environmental protection, food, salt and other industries, and realizes technology sharing with customers.

Excellence - the pursuit of technology leadership, craftsman spirit - to create excellent quality, sincere cooperation - to achieve customer win-win is our corporate vision, and strive to build Jiangsu Tusheng into an intelligent equipment enterprise with advanced technology, stable quality and first-class service.

资质荣誉

专业制造 实力认证

QUALIFICATION HONOR

High-Efficiency R&D, Limitless Innovation



技术创新

高效研发 创新无限

江苏图胜把技术创新作为公司的发展战略，汇集了一群致力于过滤与分离技术的工程技术人员，针对顾客不断提高的分离要求，研究、开发出对物料针对性更强、分离效率更高、能耗更低、操作更方便、可靠性更强、自动化程度更高的离心机。不断的改进和优化，在化工、制药、食品、环保、新能源、制盐等领域积累了丰富的应用经验。

Tusheng Ltd. has been considering technological innovations as one of the corporate strategies. We have recruited a group of talented engineers and technicians professional in filtration and separation technology to research and develop the centrifuges with better separation efficiency lower energy consumption, better convenient operation, higher reliability and closer focus on the separating materials. In addition, working environment, automation and individualization are always taken into account throughout the course of design and manufacturing. We still keep continual summarizing our experience, and continually change and improve our design in order to optimize our products.

专注—江苏图胜专注于过滤与分离技术的研发、制造、应用。

Focus - Tusheng focuses on research and development, manufacture and application of filtration and separation technology.

过滤与分离技术是一个专门的技术，从理论研究、技术设计、试制、试验、验证、确认到实际应用，需要很长一段时间。图胜在很大程度上得益于“走在前面”，即走在用户与同行的前面，当用户对离心机有更高要求时，我们对此已经进行了研究或已经有了解决的方案。借鉴国外先进技术，吸收、优化改进，使图胜技术不断提升并得到了很好的应用，形成了研究开发、市场推广应用、改进提高的良性循环。

TECHNOLOGICAL INNOVATION

High-Efficiency R&D, Limitless Innovation

Filtration and separation technique is a specialized technology it takes quite long time from theory research, technical design, trial manufacturing, testing, approval to practical application. To a large extent, Tusheng benefits from "being advanced" i.e. being more advanced than users and competitors in the same industry. When users have higher requirements, we have already done some research or have better solutions. We deeply know that it is the most important matter to guarantee the safety of centrifuge, it is the base for trust and cooperation. By learning the advanced technology abroad Huada has been developing a number of patented new technologies. Currently Tusheng has owned more than 100 patents. These technologies have been soon applied. We have formed a healthy cycle from R&D to marketing and innovation.



技术研发
Technology Research
and Development



技术应用
Technology
Application



工艺设计
Process Design



检验检测
Inspection and Detection



精益求精 的生产制造

设备与技术的革新是品质的保证

EXCELLENCE IN MANUFACTURING

Equipment and technology innovation is an assurance for quality

产品质量决定企业的成败。从企业诞生起，图胜离心机便以“专业铸就品质”作为公司的经营理念。并致力于产品品质的不断提升，秉持“品质好、效率高、不断改善”的品质政策，不断更新和完善制造设备和技术，确保客户的品质信心。

生产中严格执行国际质量标准体系和行业标准要求，从原材料采购到产品出厂，每一个环节均采用科学、先进的技术措施，严格控制产品的制造质量。

Product quality determines the success or failure of an enterprise. Since the birth of the enterprise, Tusheng centrifuge has taken "professional casting quality" as the company's business philosophy. And committed to the continuous improvement of product quality, adhering to the "good quality, high efficiency, continuous improvement" quality policy, constantly update and improve manufacturing equipment and technology, to ensure customer quality confidence.

Strict implementation of international quality standard system and industry standard requirements in production, from raw material procurement to product factory, each link adopts scientific and advanced technical measures to strictly control the manufacturing quality of products.



精细化现场品控管理

精细化管理是
提升企业核心竞争力的基础

REFINED ON-SITE QUALITY CONTROL MANAGEMENT

Fine management is the basis to enhance the core competitiveness of enterprises



图胜公司拥有一支专业质量管理团队，对涉及用户和产品的各个环节，从合同评审、技术设计、材料采购、制造过程、产品出厂到售后服务均按标准作业程序进行，从而对设计、采购、制造、服务等全过程实现有效的控制。

Tusheng company has a professional quality management team, which controls the whole process of design, purchase, manufacture and service effectively in all links involving users and products, from contract review, technical design, material procurement, manufacturing process, product out-of-factory to after-sales service according to standard operating procedures.



致力于为客户提供迅捷、周到的服务

Committed to providing customers with quick and thoughtful service



设备交付
Equipment Delivery



安装调试
Installation Debugging



操作培训
Controls Training



专业高效
Professional Efficient



定期回访
Regular Return Visit



售后无忧
Worry Free After Sale



CRAFTSMAN SPIRIT
CREATE SUPERIOR QUALITY
工匠精神·打造卓越品质

www.tslxj.com.cn



平板式上部卸料离心机

VERTICAL TOP
DISCHARGE CENTRIFUGES

PSB / PBZ

平板上卸料离心机

Vertical Top Discharge Centrifuges

PQSB / PQFB

平板式人工卸料离心机

Platform Base Top Discharge Centrifuges

PSD

平板式吊袋卸料离心机

Platform Base Bag-lifting Top
Discharge Centrifuges

PSB / PBZ 平板上卸料离心机

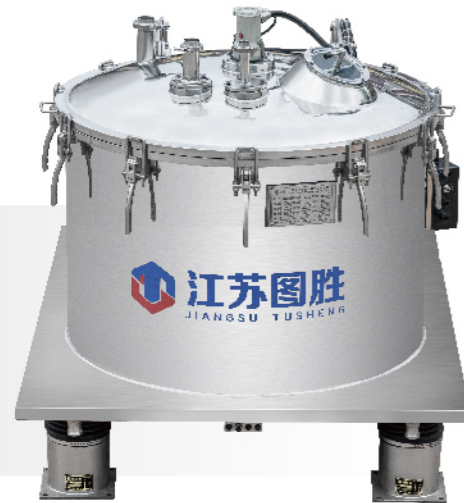
Vertical Top Discharge Centrifuges

> 主要特点 Main Features

- 结构件过渡圆滑，表面经抛光处理，有效消除卫生死角，与物料接触部分材料采用不锈钢制造。
- 翻盖打开可对离心机外壳与转鼓夹层空间进行有效清洗。
- 机座为平板结构，降低机器重心，占地空间小，平板式机座可作为操作平台，操作方便。
- 配置液态阻尼减振器，减振效果好，简化日常保养。
- 翻盖设置进料管、洗涤管、观察镜、照明孔。配置在线清洗系统(选装)，对离心机外壳内壁，转鼓内外表面，集液槽表面等离心机内部不可见部位进行清洗，符合GMP规范。
- 晶粒不易破碎，既可用于固相为颗粒状的悬浮液分离，也可用于纤维状物料的分离，适用范围广。
- 变频器启动，启动平稳，分离因数可调。
- 密闭结构，密封件采用硅橡胶或氟橡胶等，配置氮气保护系统(选装)，可实现密闭防爆要求，适合于有毒和易燃易爆场合的应用。
- PBZ型离心机采用直联防爆电机，消除了带传动带来的磨擦粉尘；同时由于电机安装于机器底部，离心机占地面积更小。



- Well-designed structure and polished surface leaves no residual heel.
- With big hinged cover it is easy to clean the gap between the case and the basket.
- Platform base design lowers the center of gravity and requires minimum installation space. The platform base can be used for operation platform.
- Big hinged cover feeding pipe, washing pipe, observation glass and light.
- Automatic CIP system (optional) cleans the internal surface of the case, the basket and liquid slot to meet the clean requirement in accordance with GMP standards.
- Wide range of applications No damage to the particle shape. Inverter start-up, smooth starting, adjustable relative centrifugal force.
- Tightness structure with silicone rubber or fluoroelastomers seals. Nitrogen protection system (optional) is for anti-explosion applied to poisonous, flammable and explosive environment.
- Model PBZ centrifuge has applied direct shaft connected motor which eliminates frictional dust from belt drive. In the meantime, the motor is installed at the bottom of the machine, which requires minimum installation space.



> PSB 技术参数 Technical parameters

项目 Items	PSB600	PSB800	PSB1000	PSB1200	PSB1250	PSB1500
转鼓直径 Basket Dia (mm)	600	800	1000	1200	1250	1500
转鼓容积 Basket volume (L)	45	120	200	330	400	600
最大装料限量 Max. load (kg)	60	150	250	410	500	800
转鼓转速 Max. Rotating speed (r/min)	1500	1200/1500	1100/1200	1100/1200	1000/1200	850
分离因数 Centrifuge force	755	645/1006	680/806	670/968	700/1008	607
电机功率 Motor (kw)	3	7.5	11	15	18.5/22	30
外形尺寸 Dimension (LxWxH) (mm)	1300*1050*1150	1700*1200*1300	2000*1400*1500	2550*1800*1750	2550*1800*1750	2600*2300*1800
机器重量 Weight (kg)	1100	1500	2500	3800	3800	6000

> PBZ 技术参数 Technical parameters

项目 Items	PBZ300	PBZ450	PBZ600	PBZ800	PBZ1000
转鼓直径 Basket Dia (mm)	300	450	600	800	1000
转鼓容积 Basket volume (L)	5	20	40	100	155
最大装料限量 Max. load (kg)	7	30	55	135	200
转鼓转速 Max. Rotating speed (r/min)	2825	1900	1500	1200	1000
分离因数 Centrifuge force	1340	910	755	645	560
电机功率 Motor (kw)	1.1	1.5	3	5.5	7.5
外形尺寸 Dimension (LxWxH) (mm)	600*600*850	850*850*1000	1200*1050*1300	1500*1250*1400	1600*1400*1450
机器重量 Weight (kg)	200	300	1100	1500	2000

PQSB / PQFB 平板式人工卸料离心机

Platform Base Top Discharge Centrifuges

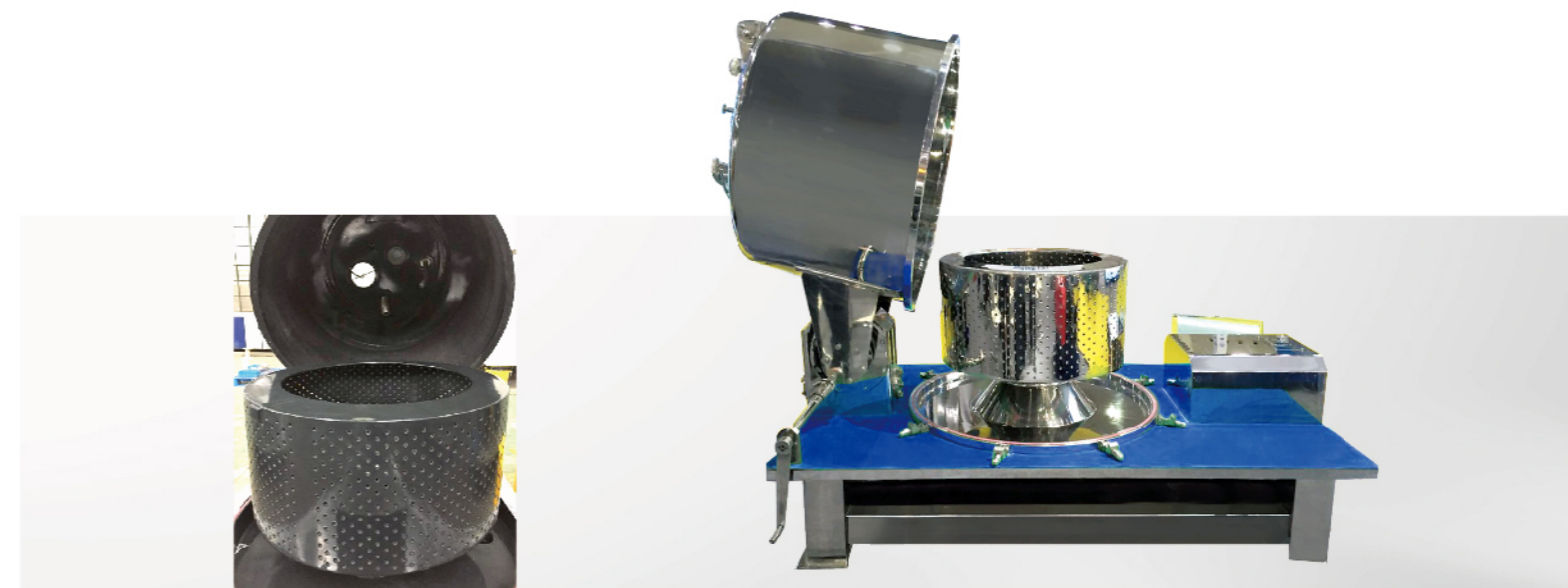
> 工作原理 Operating principle

待分离的物料经进料管进入高速旋转的离心机转鼓内，在离心力场的作用下，物料通过滤布(滤网)过滤，液相经出液管排出，固相则截留在转鼓内。待转鼓内滤饼达到机器规定的装料量时停止进料，对滤饼进行洗涤，同时将洗涤液滤出。滤饼脱液达到要求后，停机，滤饼由人工卸出。进入待机状态。

Once the materials to be separated enter the fast-spinning basket, it will be filtrated by the filter liner under the centrifugal force. The liquid flows out through the liquid outlet, but solids deposit on the internal wall of the basket. Once the solid cake reaches the rate capacity feeding stops. Wash the solids cake, and then drain out the washing water. Finally stop the machine. The solid cake is discharged manually and move to next batch.

> 主要特点 Main Features

- 全翻盖结构，结构件过渡圆滑，表面经抛光处理，有效消除卫生死角，外部结构件，紧固件和转鼓采用不锈钢制造，可对离心机外壳、转鼓、出液槽进行彻底清洗。
- 机座为平板式结构，机器重心低，占地空间小，操作方便。
- 配置液态阻尼减振器、减振效果好，简化日常保养。
- 翻盖上设置进料管、洗涤管、观察镜、照明孔。配置在线清洗系统(选装)，对离心机外壳内壁、转鼓内外表面、集液槽表面等离心机内部进行在线清洗，保证了洁净度要求，符合GMP规范。
- 通用性强，晶粒不易破碎，既可用于固相为颗粒状的悬浮液分离，也可用于纤维状物料的分离，适用范围广。
- 采用变频器启动，启动平稳，分离因数可调；配置氮气保护系统(选装)，可实现密闭结构防爆要求，适合于有毒和易燃易爆场合的应用。
- 可配置手动、液压等多种翻盖形式。
- With full-turnover cover design and polished surface leaves no residual heel. The case, fixing parts and basket are made of stainless steel. It is easy to clean the gap between the case and the basket.
- Platform base design lowers the center of gravity and requires minimum installation space. The platform base can be used for operation platform.
- Liquid-damping vibration isolators, simplify the routine maintenance.
- Full-turnover hinged cover feeding pipe, washing pipe, observation glass and light. Automatic CIP system (optional) cleans the internal surface of the case, the basket and liquid slot to meet the clean requirement in accordance with GMP standards.
- Wide range of applications No damage to the particle shape.
- Inverter start-up, smooth starting, adjustable relative centrifugal force. Tightness structure with silicone rubber or fluoroelastomers seals. Nitrogen protection system (optional) is for anti-explosion applied to poisonous, flammable and explosive environment.
- It can be configured with manual, hydraulic and a variety of forms of flip.



PQSB / PQFB 平板式人工卸料离心机

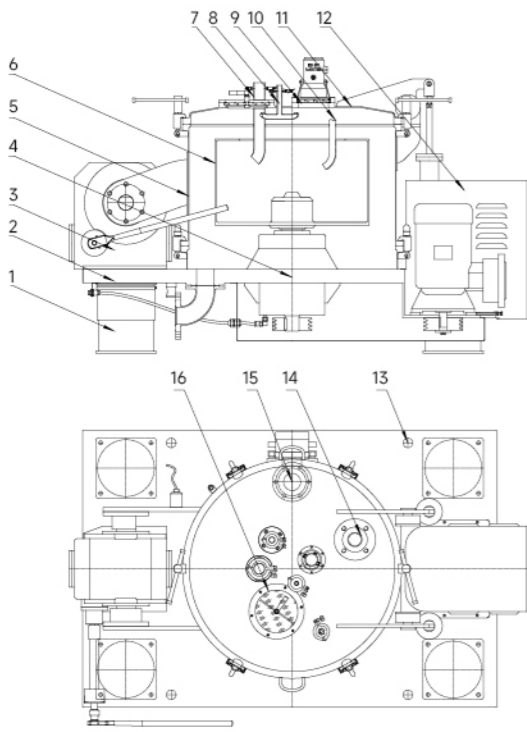
Platform Base Top Discharge Centrifuges

> PQSB 技术参数 Technical parameters

项目 Items	PQSB600	PQSB800	PQSB1000	PQSB1250
转鼓直径 Basket Dia (mm)	600	800	1000	1250
转鼓容积 Basket volume (L)	45	100	150	310
最大装料限量 Max. load (kg)	60	125	200	380
转鼓转速 Max. Rotating speed (r/min)	1500	1200	1100	1000
分离因数 Centrifuge force	755	645	680	700
电机功率 Motor (kw)	3	7.5	11	18.5
外形尺寸 Dimension (LxWxH) (mm)	1900*1300*1300	2200*1450*1350	2450*1500*1400	2450*1700*1650
机器重量 Weight (kg)	1100	1500	2200	3200

> PQFB 技术参数 Technical parameters

项目 Items	PQFB600	PQFB800	PQFB1000	PQFB1250
转鼓直径 Basket Dia (mm)	600	800	1000	1250
转鼓容积 Basket volume (L)	45	100	150	210
最大装料限量 Max. load (kg)	60	125	200	260
转鼓转速 Max. Rotating speed (r/min)	1500	1200	1100	1000
分离因数 Centrifuge force	755	645	680	700
电机功率 Motor (kw)	3	7.5	11	18.5
外形尺寸 Dimension (LxWxH) (mm)	1900*1300*1300	2400*1300*1650	2450*1500*1650	3000*1650*1550
机器重量 Weight (kg)	1100	2000	2600	3500



- 液态阻尼减振器 1. Liquid damped shock absorber
- 机座部件 2. Frame component
- 手摇传动箱 3. Hand drive case
- 传动部件 4. Drive unit
- 机壳部件 5. Housing component
- 转鼓部件 6. Drum unit
- 进料管 7. Feed pipe
- 视镜冲洗管 8. Mirror irrigation tube
- 防爆照明灯 9. Explosion-proof lamp
- 洗涤管 10. Wash pipe
- 大翻盖部件 11. Large clamshell parts
- 电机部件 12. Motor component
- 吊装点 13. Lifting point
- 排空管 14. Drain pipe
- 出液管 15. Outlet pipe
- 视镜(带刮板) 16. Sight glass (with scraper)

PSD 平板式吊袋卸料离心机

Platform Base Bag-lifting Top Discharge Centrifuges

> 工作原理 Operating principle

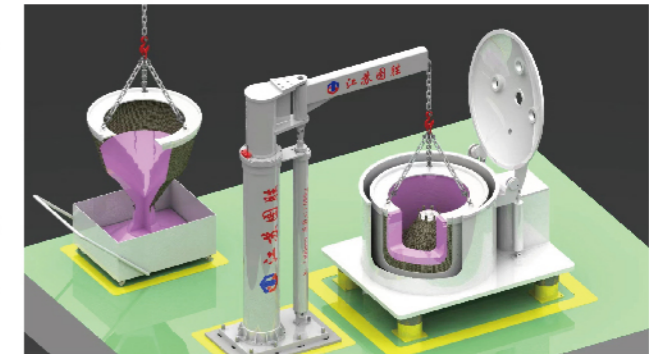
待分离的物料经进料管进入高速旋转的离心机转鼓内，在离心力场的作用下，物料通过滤布（滤网）过滤，液相经出液管排出，固相则截留在转鼓内。待转鼓内滤饼达到机器规定的装料量时，停止进料，对滤饼进行洗涤，同时将洗涤液滤出。滤饼脱液达到要求后，停机。专用的吊具将滤袋连同滤饼一起吊出至指定卸料处，打开卸料口，将滤饼卸出，然后将滤袋复位，进入待机状态。

Once the materials to be separated enter the fast-spinning basket, it will be filtrated by the filter liner under the centrifugal force. The liquid flows out through the liquid outlet, but solids deposit on the internal wall of the basket.

Once the solid cake reaches the rate capacity feeding stops Wash the solids cake and then drain out the washing water Finally stop the machine Use the lifting tool or crane to lift out the filter cloth with solid cake, and move to the discharging place Open the filter cloth and discharge the solid cake. Put the filter cloth back to the centrifuge and move to next batch.

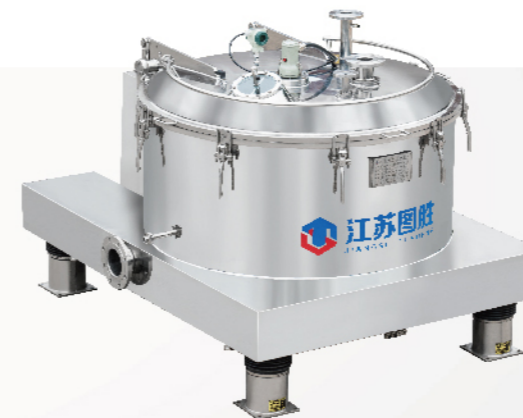
> 主要特点 Main Features

- 采用变频控制，启动平稳，分离因数可调。
- 吊袋卸料，晶粒不易破碎；劳动强度低，工效高；通用性强，适用范围广。
- 结构设计合理，结构件圆滑过渡，表面抛光处理，无卫生死角。大翻盖形式，可对外壳与转鼓夹层空间进行彻底清洗。
- 机座与机壳为整体焊接结构，承载强度高。
- 平板式机座，机器重心低，占地空间小，平板机座可作为操作平台，操作方便。四点支撑液态阻尼减振器，减振效果好，简化日常保养。
- 翻盖设置进料管、洗涤管、观察镜、照明孔等常规管口。
- 配置在线清洗系统(选装)，可对离心机外壳内壁、转鼓内外表面、集液槽表面等内部不可见部位进行清洗，保证了洁净度要求，符合GMP规范。
- 密闭结构。密封件采用硅橡胶或氟橡胶等，配置氮气保护系统(选装)，可实现密闭防爆要求，适合于有毒和易燃易爆场合的应用。
- 配置液压式悬臂吊(选装)，卸料方便，符合卫生要求。



- Inverter start-up, smooth starting, adjustable relative centrifugal force.
- Discharge cake by lifting out filter cloth is highly efficient with low labour intensity No damage to the particles; Wide range of applications.
- Well-designed structure and polished surface leaves no residual heel. With big hinged cover it is easy to clean the gap between the case and the basket.
- Overall welding structure between the base and the case ensures high carrying strength.
- Platform base design lowers the center of gravity and requires minimum installation space The platform base can be used for operation platform.

- Liquid-damping vibration isolators, simplify the routine maintenance.
- Big hinged cover feed pipe, wash pipe, observation glass and light.
- Automatic CIP system (optional) cleans the internal surface of the case, the basket and liquid slot to meet the clean requirement in accordance with GMP standards.
- Tightness structure with silicone rubber or fluoroelastomers seals. Nitrogen protection system (optional) is for anti-explosion applied to poisonous, flammable and explosive environment.
- Equipped with hydraulic suspension arms (optional) which is easy for discharging and complies with the sanitation requirements.



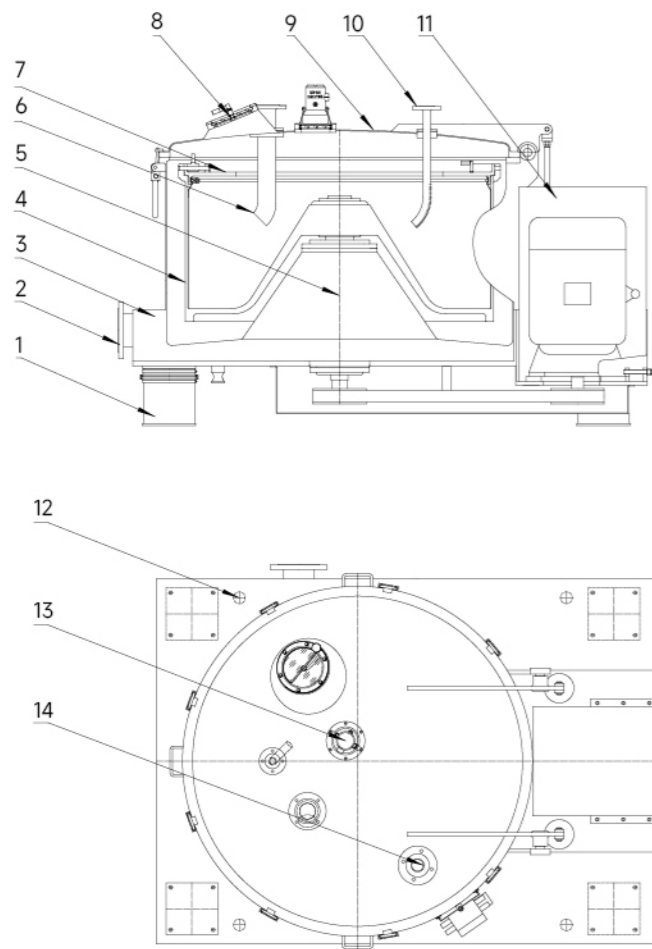
PSD 平板式吊袋卸料离心机

Platform Base Bag-lifting Top Discharge Centrifuges

> PSD 技术参数 Technical parameters

项目 Items	PSD800	PSD1000	PSD1200	PSD1250	PSD1500	PSD1600	PSD1800
转鼓直径 Basket Dia (mm)	800	1000	1200	1250	1500	1600	1800
转鼓容积 Basket volume (L)	120	200	330	400	600	800	910
最大装料限量 Max. load (kg)	150	250	410	500	800	1000	1100
转鼓转速 Max. Rotating speed(r/min)	1200/1500	1100/1200	960/1050	1000/1200	850	850	780
分离因数 Centrifuge force	645/1006	680/806	670/740	700/1008	607	647	612
电机功率 Motor (kw)	7.5	11	15	18.5/22	30	37	37
外形尺寸 Dimension (LxWxH)(mm)	1750*1200*1300	2000*1400*1500	2550*1800*1750	2550*1800*1750	2600*2300*1800	3200*2400*2150	3300*2600*2100
机器重量 Weight (kg)	1500	2500	3800	4000	6000	8500	10000

吊袋式上部卸料离心机卸料示意图
Schematic diagram for vertical bag-lifting top discharge centrifuges



- 液态阻尼减振器 1. Liquid damped shock absorber
- 出液管 2. Outlet pipe
- 机座部件 3. Frame component
- 转鼓部件 4. Drum unit
- 传动部件 5. Drive unit
- 进料管 6. Feed pipe
- 拦液板部件 7. Liquid holding plate component
- 视镜(带刮板) 8. Sight glass (with scraper)
- 大翻盖部件 9. Large clamshell parts
- 洗涤管 10. Wash pipe
- 电机部件 11. Motor component
- 吊装点 12. Lifting point
- 防爆照明灯 13. Explosion-proof lamp
- 排空管 14. Drain pipe



全自动立式刮刀卸料离心机

AUTOMATIC VERTICAL BOTTOM DISCHARGE SCRAPER CENTRIFUGES

LGZ / PGZ

平板式全自动刮刀下部卸料离心机

Automatic Platform Base
Bottom Discharge Scraper Centrifuges

PAUT

上悬式刮刀卸料自动离心机

Top-suspended Bottom Discharge
Scraper Centrifuges

PGD

抖袋式刮刀下部卸料离心机

Bag-shaking Bottom Discharge
Scraper Centrifuges

LGZ / PGZ 平板式全自动刮刀下部卸料离心机

Automatic Platform Base Bottom Discharge Scraper Centrifuges

工作原理 Operating principle

刮刀下部卸料离心机为立式全自动过滤离心机。电机通过皮带驱动转鼓高速旋转，待分离的物料在预先编制的程序控制下，通过进料系统进入高速旋转的离心机转鼓内。在离心力场的作用下物料通过过滤介质（滤布/滤网）的过滤，液相经出液管排出机外，固相则被截留在转鼓内。物料检测装置实时检测物料充填位置，当转鼓内滤饼达到机器规定的装料量时停止进料。然后对滤饼进行洗涤、甩干。滤饼达到脱液要求后，离心机降低到刮料速度，刮刀装置在液（气）动控制下将滤饼刮下，并经离心机下部的出口口排出。

The automatic bottom discharge scraper centrifuge is vertical tuiiy-automatic filtration centrifuge. The motor drives the basket to rotate at high speed through the belt, and under the control of pre-written program, the material to be separated is fed into the basket through the feed system. After the material is filtered through the filtration medium (filter cloth/screen) under the action of centrifugal force, the liquid phase discharges out of the centrifuge through the liquid pipeline, and the solid phase is retained in the basket. A material detection device is used to detected material filling position in real-time manner and when the solid cake deposited in the basket reaches the specified holding capacity of the centrifuge, feeding stops. Then wash and dry the solid cake. After the solid cake meets requirements for knock-out, the centrifuge reduces to the scraping rate, under the hydraulic (pneumatic) control, the scraper device removes the solid cake, and then the cake is discharged at bottom outlet of the centrifuge.

主要特点 Main Features

- 平板式结构，机器重心低，运行平稳；四点支撑、无基础安装形式。
- 液态阻尼减振，离心机隔振和减振性能卓越。
- 独立式斜盘布料装置，加料均匀并可控。
- 氮气保护系统氧含量检测（选装），可实现密闭防爆要求，适合于有毒和易燃易爆场合的应用。保证机器安全运行。
- 大翻盖结构，离心机内腔设置清洗装置，对离心机进行在线清洗，避免产品交叉污染。
- 多重安全保护装置：过振动保护、过电流保护、温控保护，料层控制、刮刀行程保护、开盖保护、机械和电气联锁保护，各种警示和警告标识。
- PLC程序控制、触摸屏、变频器控制、能耗制动、回馈制动、设备故障自我诊断，自动化人机界面控制，DCS控制接口。
- 内外表面经过抛光处理，表面粗糙度可达Ra0.2-0.4μm，符合GMP规范。



- Platform base structure could lower the center of gravity and stabilize the machine. No foundation construction makes convenient installation and repairing.
- Platform base with liquid damping isolators: Applying the liquid damping technique improves performance of vibration absorption in centrifuge.
- Inclined feed disk: we discarded the central feed or side feed method.
- Nitrogen protection system (optional) can meet the requirements of sealed explosion-proof, and is suitable for the application of toxic, flammable and explosive occasions. Ensure the safe operation of the machine.
- Big hinged cover and CIP system, which avoiding cross contamination against the products.
- Multiple safety protection devices: over vibration protection, over current protection, temperature control protection, material layer control, scraper stroke protection, open cover protection, mechanical and electrical interlock protection, various warnings and warning signs.
- PLC control, touch screen, inverter control, dynamic braking, feedback braking, self-diagnosis of equipment fault, automatic control panel and DCS control interface.
- Polished internal/external surfaces with roughness up to Ra0.2 - 0.4 μm, complying with the related requirements of cGMP.

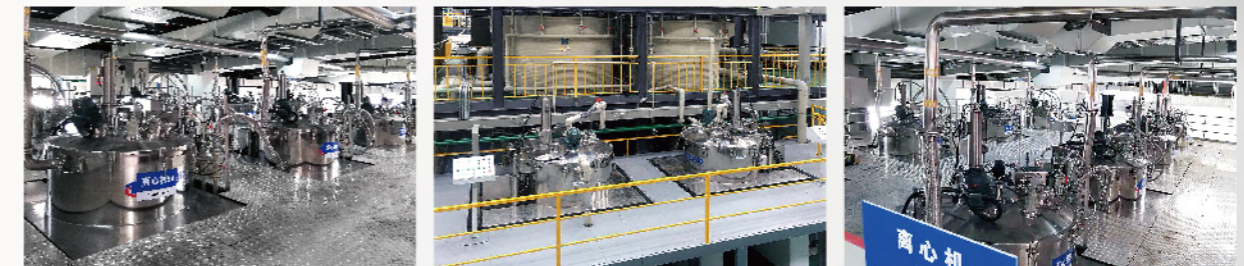
配置选择说明 Optional configurations

- 外形结构:** 大开盖、全开盖及平盖多种结构
- 布料方式:** 斜盘布料器、侧向布料管、中间布料管
- 刮刀卸料:** 液压、气动
- 电机驱动:** 普通电机、变频电机、防爆电机、能耗制动或回馈制动
- 安全防护:** 防爆、振动保护、料满检测保护、开盖保护、温度保护、机电联锁、速度监测、过载保护、氮气保护系统、氧含量检测
- 表面处理:** 镜面抛光、亚光处理、钝化处理
- 电气元件:** 品牌供应
- 程序控制:** 可编程序控制方式、DCS控制方式
- 在线清洗:** 清洗球、喷淋管
- 氮气保护:** 自动供氮装置、液封装置、气液分离器、氧含量检测系统
- 涂层处理:** 衬HALAR (F30)、F40、F46、PFA、衬PE、衬橡胶

- Shape Structure:** Large Open Cover, Full Open Cover and Flat Cover
- Distribution mode:** Inclined plate distributor, lateral distributor and intermediate distributor
- Scraper discharge:** Hydraulic and pneumatic
- Motor Drive:** General Motor, Frequency Converter Motor, Explosion-proof Motor, Energy Consumption Brake or Feedback Brake
- Safety protection:** Explosion proof, vibration protection, full material detection protection, open cover protection, temperature protection, electromechanical interlocking, speed monitoring, overload protection, nitrogen protection system, oxygen content detection
- Surface treatment:** Mirror polishing, matte treatment, passivation treatment
- Electrical Components:** Brand Supply
- Programming Control:** Programmable Control Mode and DCS Control Mode
- On-line cleaning:** Cleaning balls and spray pipes
- Nitrogen Protection:** Automatic Nitrogen Supply Device, Liquid Packaging Device, Gas-liquid Separator, Oxygen Content Detection System
- Coating treatment:** Lining HALAR (F30), F40, F46, PFA, PE and rubber



客户现场
Customer use cases



LGZ / PGZ 刮刀下部卸料离心机

Bottom Discharge Scraper Centrifuges

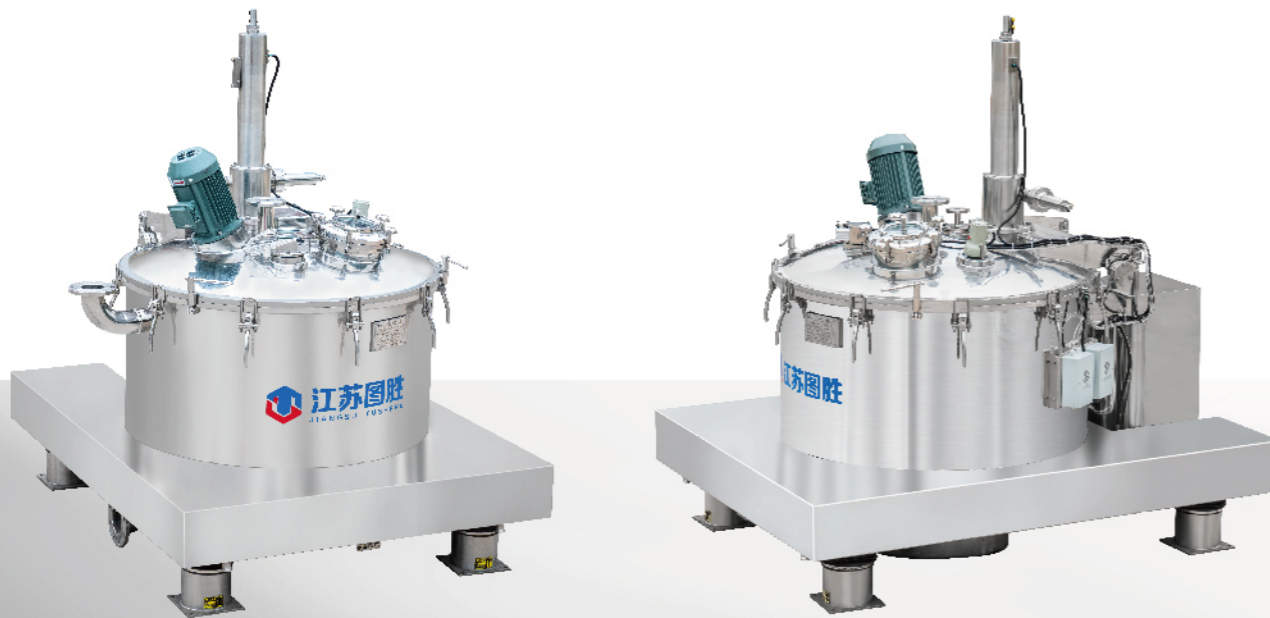
LGZ/PGZ系列离心机是一种高科技含量的离心分离机械具有多种配置可选择, 可实现全自动程序控制, 具有洁净卫生, 密闭防爆, 多重安全保护, 多种配置选择等特点, 广泛应用于制药, 化工、新能源、食品等行业。

LGZ/PGZ series centrifuge is a type of centrifugal separation machinery with high scientific content, and several configuration options are available. Featuring asepsis, sanitation enclosed explosion-proof multiple safety protections and several configuration options, this series centrifuge is controlled by a fully-automatic program, and has been widely used in pharmaceutical, chemical, new energy, food and other industries.

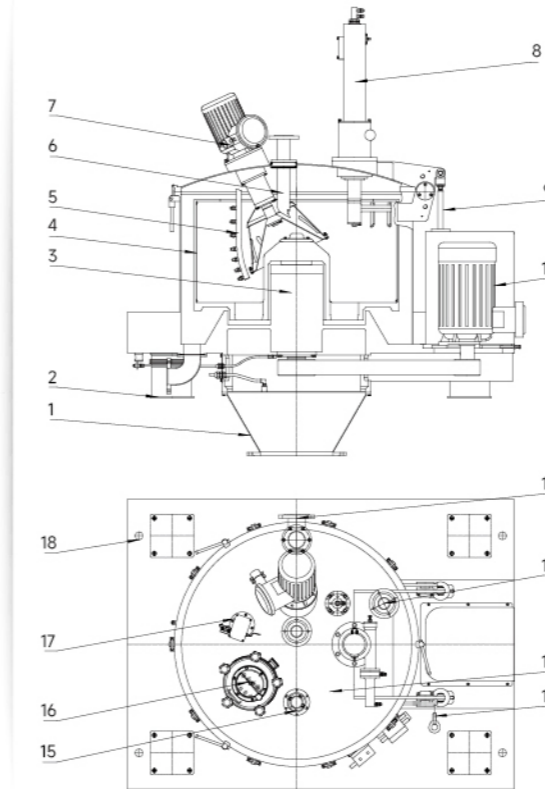


LGZ/PGZ 技术参数 Technical parameters

项目 Items	LGZ/PGZ800	LGZ/PGZ1000	LGZ/PGZ1250	LGZ/PGZ1500	LGZ/PGZ1600	LGZ/PGZ1800
转鼓直径 Basket Dia (mm)	800	1000	1250	1500	1600	1800
转鼓容积 Basket volume (L)	100	190	400/500	610	800/1000	1000
最大装料限量 Max. load (kg)	135	255	500/600	820	1000/1200	1250
转鼓转速 Max. Rotating speed (r/min)	1200/1500	1100/1200	1100/1200	850	850	800
分离因数 Centrifuge force	645/1008	677/805	700/1008	606	647	645
电机功率 Motor (kw)	7.5/11	15	22/30	37	37/45	55
外形尺寸 Dimension (L*W*H) (mm)	1850*1250*2050	2200*1500*2250	2550*1800*2550 2550*1800*2900	2900*2100*2700	3200*2400*3000 3200*2400*3250	3500*2500*3400
机器重量 Weight (kg)	2000	3500	6000	8000	12000	15000

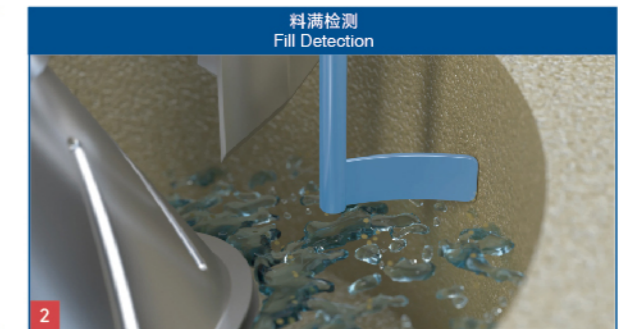
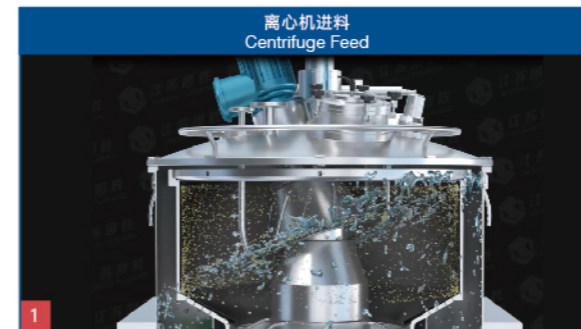


LGZ/PGZ刮刀下部卸料离心机
LGZ/PGZ Bottom Discharge Scraper Centrifuge



- 出料斗 1. Discharge hopper
- 液态阻尼减振器 2. Liquid damped shock absorber
- 传动部件 3. Drive unit
- 转鼓部件 4. Drum unit
- 雾化洗涤管 5. Atomizing washing pipe
- 进料管 6. Feed pipe
- 斜盘布料装置 7. Swash plate distributing device
- 刮刀部件 8. Scraper component
- 翻盖油缸部件 9. Flap cylinder component
- 电机部件 10. Motor component
- 出液管 11. Outlet pipe
- 排空管 12. Drain pipe
- 翻盖部件 13. Flap unit
- 机械开盖保护 14. Mechanical open cover protection
- 防爆照明灯 15. Explosion-proof lamp
- 视镜小翻盖(带刮板) 16. Mirror flap (with scraper)
- 料层控制器 17. Layer controller
- 吊装点 18. Lifting point

工作流程 Operating process

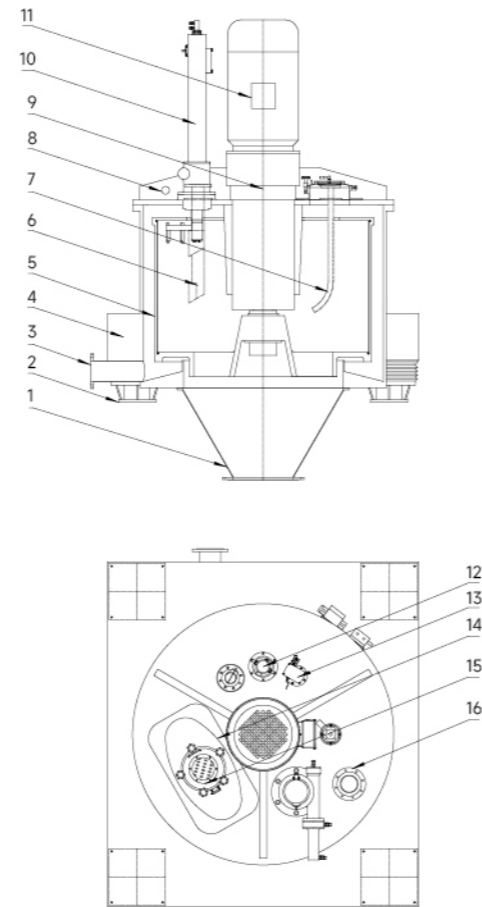
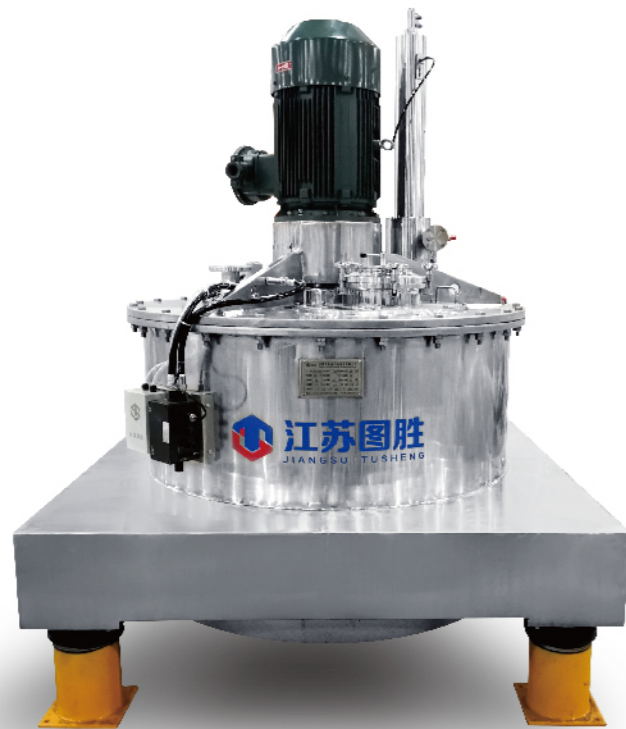


PAUT 上悬式刮刀卸料自动离心机

Top-suspended Bottom Discharge Scraper Centrifuges

主要特点 Main Features

- 电机上置式直联传动，传动和转鼓回转中心与机器中心重合，运行平稳。
- 液态阻尼减振器，无基础安装，便于操作和维护。
- 大长径比，装料容积大。
- 机壳与机座刚性连接全承载结构，结构简单紧凑。
- 独立式轴承座，轴承支承跨距大，转鼓重心低，承载能力大。
- 无皮带传动，无摩擦粉尘。
- 全自动操作程序控制，运行可靠、安全。
- 可配置氮气保护装置，实现防爆场合的应用。
- Upper type direct drive for motor rotating center for drive and drum coincide with machine center with smooth and stable operation.
- Liquid damping vibration absorber No foundation for installation facilitates operation and maintenance.
- large length -diameter ratio, big loading capacity.
- Rigidly joint between base and case, offering simple and compact construction.
- Independent bearing seat, large bearing support span low basket gravity center larger carrying capacity.
- Driving without belt, ensures no friction dust.
- Fully-automatic operation program control ensuring reliable and safe operation.
- Nitrogen protection system is available for explosion-proof application.



- | | |
|---|---|
| 出料斗 1. Discharge hopper | 主轴部件 9. Spindle unit |
| 液态阻尼减振器 2. Liquid damped shock absorber | 刮刀部件 10. Scraper component |
| 出液管 3. Outlet pipe | 电机部件 11. Motor component |
| 机座部件 4. Frame component | 防爆照明灯 12. Explosion-proof lamp |
| 转鼓部件 5. Drum unit | 料层控制器 13. Layer controller |
| 进料管 6. Feed pipe | 人孔盖板 14. Manhole cover plate |
| 洗涤管 7. Wash pipe | 视镜小翻盖(带刮板) 15. Mirror flap (with scraper) |
| 吊装点 8. Lifting point | 排气管 16. Exhaust pipe |

配置说明 Optional configurations

- 布料方式:** 单管或多管侧向进料
- 刮刀卸料:** 液压
- 电机驱动:** 普通电机、变频电机、防爆电机、能耗制动或回馈制动
- 安全防护:** 防爆、振动保护、料满检测保护、温度保护、机电连锁、速度监测、过载保护、氮气保护系统
- 表面处理:** 镜面抛光、亚光处理、钝化处理
- 电气元件:** 品牌供应
- 残余滤饼处理:** 气体反吹、滚轮辅助刮刀、气体辅助刮刀
- 程序控制:** 可编程控制方式、DCS控制方式
- 氮气保护:** 自动供氮装置、液封装置、气液分离器、氧含量检测系统
- 涂层处理:** 衬HALAR (F30)、F40、F46、PFA、衬PE、衬橡胶
- 出料斗:** 口径及高度可按用户要求配置

- Distribution:** Single or multi-tube side feeding
- Scraper discharge:** hydraulic pressure
- Motor Drive:** General Motor, Frequency Converter Motor, Explosion-proof Motor, Energy Consumption Brake or Feedback Brake
- Safety protection:** explosion proof, vibration protection, full material detection protection, temperature protection, electromechanical interlocking, speed monitoring, overload protection, nitrogen protection system
- Surface treatment:** mirror polishing, matte treatment, passivation treatment
- Electrical Components:** Brand Supply
- Residual cake treatment:** gas back-blowing, roller-assisted scraper, gas-assisted scraper
- Programming Control:** Programmable Control Mode and DCS Control Mode
- Nitrogen Protection:** Automatic Nitrogen Supply Device, Liquid Packaging Device, Gas-liquid Separator, Oxygen Content Detection System
- Coating treatment:** lining HALAR (F30), F40, F46, PFA, PE and rubber
- Discharge hopper:** caliber and height can be configured according to user's requirements

客户现场 Customer use cases



PAUT 技术参数 Technical parameters

项目 Items	PAUT1250A	PAUT1250B	PAUT1320	PAUT1500	PAUT1600
转鼓直径 Basket Dia (mm)	1250	1250	1320	1500	1600
转鼓容积 Basket volume (L)	281	450	490	653	970
最大装料限量 Max. load (kg)	380	610	660	880	1300
转鼓转速 Max. Rotating speed (r/min)	970	970	900	850	850
分离因数 Centrifuge force	658	658	598	607	647
电机功率 Motor (kw)	22	30	30	37	45
外形尺寸 Dimension (LxWxH) (mm)	2100*2000*2200	2100*2000*2600	2100*2000*2600	2600*2350*2700	2700*2350*2900
机器重量 Weight (kg)	4500	5000	5500	8500	10000

PGD 抖袋式刮刀下部卸料离心机

Bag-shaking Bottom Discharge Scraper Centrifuges

PGD系列抖袋式刮刀下部卸料离心机是在保持了LGZ系列产品的固液分离刮刀卸料等主要功能的基础上，增加了以抖袋方式清除残余滤饼的功能，去除率可达99%以上。避免了不同批次间产品分离的交叉混批，同时解决了残余滤饼层对过滤速率的影响。主要应用于制药、化工、新能源、食品等行业的固液分离工艺。

On the basis of maintaining the main functions of LGZ series products such as solid-liquid separation scraper discharging, PGD series bagging scraper lower discharging centrifuge has added the function of removing residual cake layer by bagging, and the removal rate can reach more than 99%. The cross-mixing batches of product separation between different batches were avoided, and the effect of residual cake layer on the filtration rate was solved. It is mainly used in the solid-liquid separation process of pharmaceutical, chemical, new energy, food and other industries.

工作原理 Operating principle

待分离的物料经进料管加入高速旋转的离心机转鼓内，在离心场的作用下，物料经滤布实现过滤，液相经出液管排出，固相则被截留在转鼓内。当物料被加满时，停止进料，对滤饼进行洗涤，同时将洗涤液滤出。离心机继续旋转，对滤饼进行甩干。滤饼达到分离要求后，离心机降速，通过刮刀将滤饼刮下从底部排出机外。离心机再降速，抖袋装置往复抖动，将残余滤饼抖落，实现滤饼的完全清除，从而实现滤布再生。

The material to be separated is added into the high-speed rotating centrifuge drum through the feed tube. Under the action of centrifugal field, the material is filtered through the filter cloth, the liquid phase is discharged through the outlet tube, and the solid phase is intercepted in the drum. When the material is full, stop feeding, wash the cake, and filter out the washing liquid. The centrifuge continued to rotate and the cake was dried. After the filter cake meets the separation requirement, the centrifuge reduces the speed and scrapes the filter cake down from the bottom and discharges it out of the machine through the scraper. The centrifuge reduces the speed again, and the pneumatic bag shaking device moves up and down to shake off the residual filter cake, so as to realize the complete removal of the filter cake, thereby realizing the regeneration of the filter cloth.

主要特点 Main Features

- 本机除兼备LGZ离心机的全部主要特点外还具有下列特点：
- 抖袋式去除残余滤饼。通过气动抖袋装置的上下往复运动，将刮刀卸料残余的滤饼全部清除，实现完全卸料和滤布再生。
- 特殊设计的转鼓拦液板结构，自锁可靠，滤布更换方便、容易。
- 内置拉袋气缸，抖袋动作双气道进气，提高拉伸力，复位缓冲装置，结构简单可靠。具有更大的作用力、更好的残余滤饼清除效果、保养维护更方便快捷。
- 全封闭式出料斗设计，使物料与传动件完全隔离。
- In addition to all main features of the LGZ series centrifuge, the PLD series centrifuge features as follows:
- Removing the residual solid cake by bag-shaking method. Eliminate all solid cakes left over the process of scraper discharging through reciprocal movement of the pneumatic pulling bag device, to realize complete discharging and filtering cloth regeneration.
- Design of removable lip ring in the basket with reliable self-locking, which is easy for changing the filter cloth.
- Built-in bag pulling cylinder, double airway air intake, improve pulling force, reset buffer device, simple and reliable structure. With greater force, better residual cake removal effect, maintenance more convenient and fast.
- Fully-enclosed discharge hopper design separating the material from the driving components of the centrifuge.

PGD 技术参数 Technical parameters

项目 Items	PGD800	PGD1000	PGD1250	PGD1600	PGD1800
转鼓直径 Basket Dia (mm)	800	1000	1250	1600	1800
转鼓容积 Basket volume (L)	100	180	400	800	1250
最大装料限量 Max. load (kg)	135	230	500	1000	1500
转鼓转速 Max. Rotating speed (r/min)	1200/1500	1100/1200	1000/1200	850	800
分离因数 Centrifuge force	645/1008	677/805	700/1008	647	645
电机功率 Motor (kw)	7.5/11	15	22/30	37	55
外形尺寸 Dimension (LxWxH) (mm)	2050*1250*2000	2350*1450*2350	2550*1800*2550	3200*2400*3000	3500*2500*3300
机器重量 Weight (kg)	2000	4000	6000	12000	15000



配置选择说明 Optional configurations

- 外形结构:** 大开盖、全开盖及平盖多种结构
- 布料方式:** 斜盘布料器、侧向布料管、中间布料管
- 刮刀卸料:** 液压、气动
- 电机驱动:** 普通电机、变频电机、防爆电机、能耗制动或回馈制动
- 安全防护:** 防爆、振动保护、料满检测保护、开盖保护、温度保护、机电连锁、速度监测、过载保护、氮气保护系统

- Shape Structure:** Large Open Cover, Full Open Cover and Flat Cover
- Distribution mode:** Inclined plate distributor, lateral distributor and intermediate distributor
- Scraper discharge:** Hydraulic and pneumatic
- Motor Drive:** General Motor, Frequency Converter Motor, Explosion-proof Motor, Energy Consumption Brake or Feedback Brake
- Safety protection:** Explosion proof, vibration protection, full material detection protection, open cover protection, temperature protection, electromechanical interlocking, speed monitoring, overload protection, nitrogen protection system

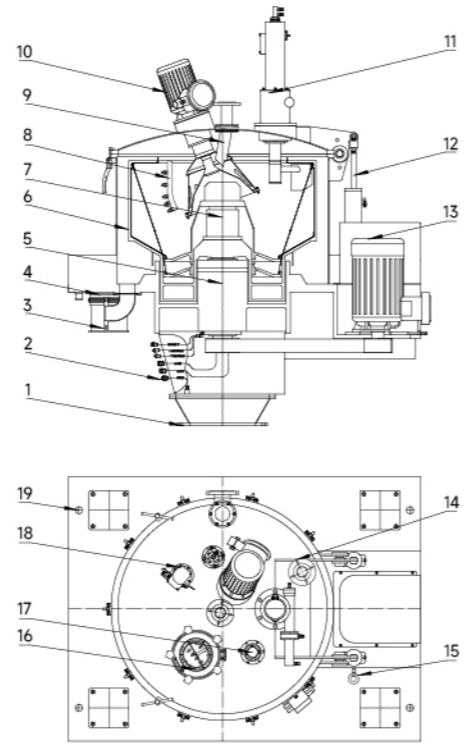
- 表面处理:** 镜面抛光、亚光处理、钝化处理
- 电气元件:** 品牌供应
- 残余滤饼处理:** 抖袋装置清除残余滤饼
- 程序控制:** 可编程序控制方式、DCS控制方式
- 在线清洗:** 清洗球、喷淋管
- 氮气保护:** 自动供氮装置、液封装置、气液分离器、氧含量检测系统
- 涂层处理:** 衬HALAR (F30)、F40、F46、PFA

- Surface treatment:** Mirror polishing, matte treatment, passivation treatment
- Electrical Components:** Brand Supply
- Residual cake treatment:** Shaking device to remove residual cake
- Programming Control:** Programmable Control Mode and DCS Control Mode
- On-line cleaning:** Cleaning balls and spray pipes
- Nitrogen Protection:** Automatic Nitrogen Supply Device, Liquid Packaging Device, Gas-liquid Separator, Oxygen Content Detection System
- Coating treatment:** Lining HALAR (F30), F40, F46, PFA



PGD 抖袋式刮刀下部卸料离心机

Bag-shaking Bottom Discharge Scraper Centrifuges



- 出料斗 1. Discharge hopper
- 集成气路(含上、下加油) 2. Integrated gas path(including upper and lower fueling)
- 出液管 3. Outlet pipe
- 液态阻尼减振器 4. Liquid damped shock absorber
- 传动部件 5. Drive unit
- 转鼓部件 6. Drum unit
- 抖袋装置 7. Bag ejector
- 雾化洗涤管 8. Atomizing washing pipe
- 进料管 9. Feed pipe

- 斜盘布料装置 10. Swash plate distributing device
- 刮刀部件 11. Scraper component
- 翻盖油缸 12. Clamshell cylinder
- 电机部件(含测速盘) 13. Motor parts (including speed dial)
- 排空管 14. Drain pipe
- 机械开盖保护 15. Mechanical open cover protection
- 视镜小翻盖(带刮板) 16. Mirror flap (with scraper)
- 防爆照明灯 17. Explosion-proof lamp
- 料层控制器 18. Layer controller
- 吊装点 19. Lifting point

工作流程 Operating process



卧式螺旋卸料离心机

HORIZONTAL SPIRAL DISCHARGE CENTRIFUGES

LW
卧式螺旋卸料沉降离心机
Decanter Centrifuges

LLW
卧式螺旋卸料过滤离心机
Horizontal Screen Worm Centrifuges

LLWZ
浓缩过滤离心机
Thickening Screen Worm Centrifuge

LW 卧式螺旋卸料沉降离心机

Decanter Centrifuges

工作原理 Operating principle

悬浮液从进料管经布料体分配进入转鼓，较大比重的固相颗粒在离心力场的作用下，加速沉降于转鼓壁上。沉降的固相在螺旋输送机叶片的推动下，从沉降区（圆柱转鼓）通过干燥区（圆锥转鼓）至固相出口排出；澄清后的液相从大端溢流口排出。从而实现固-液二相或固-液-液三相分离。

Separation takes place in a horizontal bowl equipped with a scroll conveyor. The process material is fed into the bowl through a stationary inlet tube and is smoothly accelerated in the accelerate chamber. Centrifugal forces cause instant sedimentation of the solids on the wall of the bowl. The conveyor rotates in the same direction as the bowl, but at a different speed, thus moving the solids towards the conical end of the bowl.

主要性能和用途 Main applications

LW系列卧式螺旋卸料离心机为卧式，连续进料螺旋连续卸料的沉降离心机，主要适用于化工、医药、环保、矿山、食品等行业悬浮液固-液二相、固-液-液三相分离。

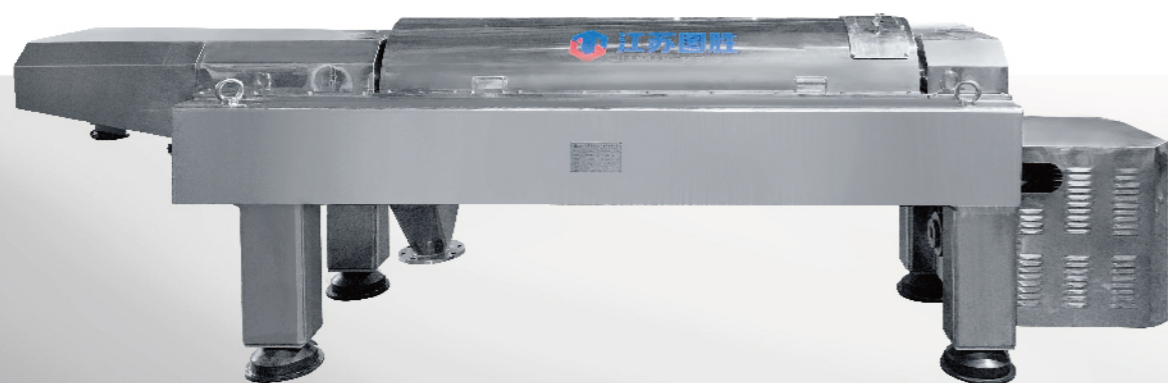
LW series decanter centrifuge is a horizontal centrifuge with continuous feeding and continuous discharge. It is applicable for two-phase (solid-liquid) separation and three-phase (solid-liquid-liquid) separation in the chemical, pharmaceutical, environmental protection mining, food and other industries.

主要用途:

- 工业废水和城市污水分离
- 淀粉洗涤分离脱水
- 抗生素发酵液菌丝体分离
- 大豆小麦类蛋白的脱水
- 鱼粉鱼肉的脱水
- 酒糟脱水
- 果汁的净化与果肉纤维的脱水
- 动、植物油的分离与净化
- 煤焦油的分离与净化
- 高岭土、石墨的粒度分级
- 染料、颜料的分级与脱水
- 浮选精煤与煤泥脱水
- 选矿矿浆的分级与脱水
- 钻井污泥处理

Applications:

- Industrial and municipal wastewater treatment
- Oil & gas drilling mud/fluid control
- Washing, classification and dewatering of amyllum and starch
- Mycelium separation from zymotic fluid of antibiotic
- Dewatering of soybean and wheat protein
- Dewatering of fish powder and fish meat
- Dewatering of grains
- Clarification and extraction of fruit juice
- Clarification and purification for animal and vegetable oil
- Production and extraction of olive oil, palm oil, avocado oil
- Separation and purification for coal tar
- Grading of kaolin and graphite
- Classification and dewatering for dyestuff and pigment
- Float wash of extractive coal and dewatering of coal mud
- Classification and dewatering for minerals



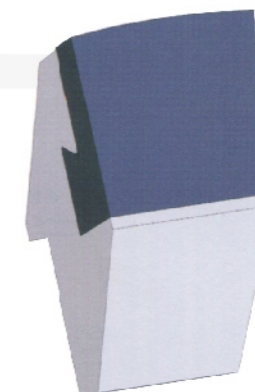
主要结构特点 Main constructional features

- 立式机座设计，电机与转鼓对称布局，机器运行平稳，振动烈度低。
- 转鼓、螺旋等主要零部件采用离心铸造耐蚀不锈钢或双相钢制造，极限转速高，分离因数大。
- 双电机双变频控制，转鼓、螺旋转速分别无级可调。
- 螺旋输送机推料表面喷涂耐磨合金或镶焊硬质合金。
- 行星齿轮和液压差速器两种结构选择，差速调节范围大，用于不同固相的推料扭矩传递。
- 多重安全保护：转速、差速检测，过振动保护，电机过载过热保护，轴承温度监控，螺旋推料扭矩保护、密闭防爆氮气保护等。
- 专用减振器，无需地脚螺栓固定。
- Vertical base design and symmetrical arrangement of motor and bowl assembly that ensures stable operation and less vibration
- Main parts such as the bowl and conveyor are made of corrosion-resistant stainless steel or duplex steel, offering high maximum bowl speed and high centrifugal force.
- Double motor double frequency control, drum, screw speed are stepless adjustable.
- Screw conveyor flights tiled or lined with ceramic, tungsten carbide, or other hard alloys.
- Planetary gear and hydraulic differential two structural options, the difference adjustment range is large, for different solid phase push torque transmission.
- Multiple safety protection: bowl speed and differential speed detection, over-vibration protection, motor overload and overheat protection, bearing temperature monitoring, conveyor torque protection and gas-tight explosion-proof protection.
- Special shock absorber, fixed without anchor bolt.

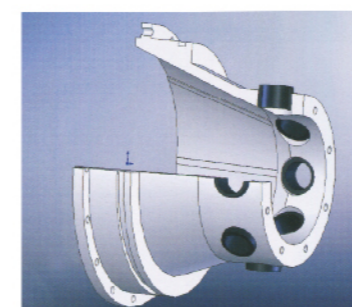
防磨损设计 Wear Protection

螺旋喷焊硬质合金粉末
螺旋表面镶嵌硬质合金耐磨块
转鼓内壁焊接高强度耐磨筋条

Scroll with welded hard facing or spray coating
Scroll inlaid with tungsten carbide tiles
Bowl inner wall welding with high strength wear resistant strips



可更换硬质合金片，HRA89-90
Replaceable tungsten carbide tiles HRA89-90

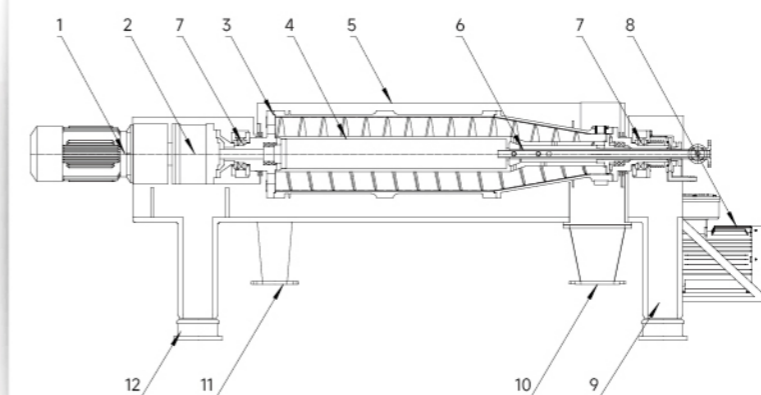


固相出口口

采用硬质合金锥套或陶瓷出口口
结构简单更换方便
维修成本低

Solid discharge port

Tungsten carbide or ceramic bushings
Simple structure and easily replacement
Low maintenance cost



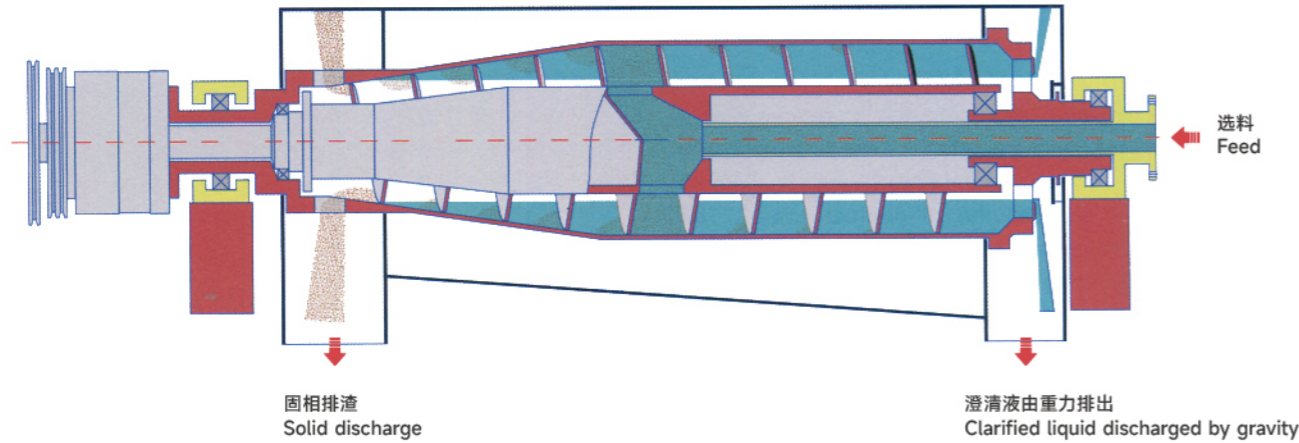
- 辅电机部件 1. Auxiliary motor component
- 差速器 2. Differential
- 外转鼓部件 3. External rotating drum components
- 内螺旋部件 4. Internal screw unit
- 罩壳部件 5. Casing component
- 进料管 6. Feed pipe
- 轴承座 7. Bearing block
- 主电机部件 8. Main motor component
- 机座部件 9. Frame component
- 出料口 10. Discharge opening
- 出液口 11. Liquid outlet
- 减振器 12. Shock absorber

LW 卧式螺旋卸料沉降离心机 (常规型)

Standard Type Decanter Centrifuge

LW系列常规机型转鼓两端采用迷宫式密封，分离后固相由螺旋推至固相出口，经高速旋转产生的离心力排出机外；分离后澄清液经过溢流口，由重力及离心力排出。该机型操作方便，运转连续、平稳，适用范围广。

Labyrinth seal is used for both bowl ends of LW standard type decanter centrifuge, simple and convenient, after separation, the solid phase is conveyed to the solid discharge port by scroll conveyor, and discharged out of centrifuge under centrifugal force caused by high speed rotation; while the liquid phase drains out under gravity and centrifugal force through the overflow plate. This series decanter centrifuge features easily operation, continuous and stable running, and wide application scope



> LW 技术参数 Technical parameters

型号 Models	转鼓直径(mm) Bowl Diameter	长径比 L/D Ratio	转鼓转速(r/min) Bowl Speed	分离因数 G-force	主电机功率(kw) Main Motor Power	机器重量(kg) Weight	外形尺寸(长x宽x高Xmm) Dimension (L*W*H)
LW220*880	220	4	4800	2840	7.5-11	1000	2650*750*750
LW335*1460	350	4.17	4000	3100	22	2020	3550*1000*1050
LW450*1800	450	4	3200	2577	30-37	3500	4100*1050*1250
LW450*2025	450	4.5	3200	2577	30-37	3800	4550*1050*1250
LW530*2120	530	4	2800	2327	45-55	4200	4750*1250*1450
LW530*2650	530	5	2500	2150	37-55	4500	5050*1450*1750
LW630*2300	630	3.65	2500	2205	75	8000	5350*1700*1550
LW650*2800	650	4.3	2500	2270	90	9600	5350*1700*1550
LW720*2880	720	4	2000	1613	110	11000	5300*2050*1750

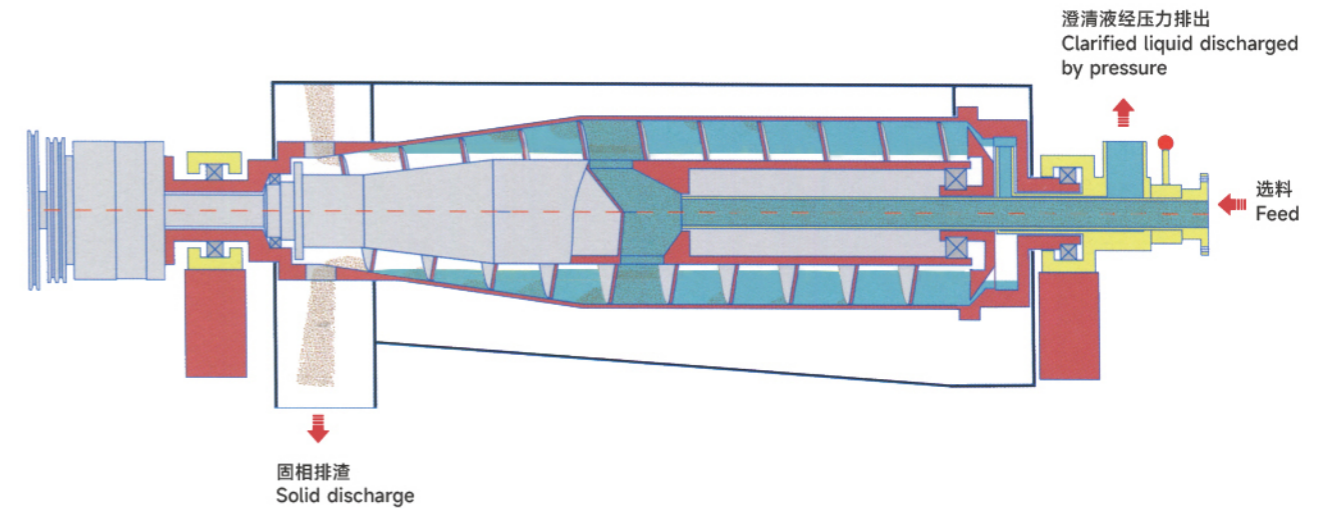


LWX 卧式螺旋卸料沉降离心机 (向心泵出液型)

Decanter Centrifuge (Impeller Liquid Discharge)

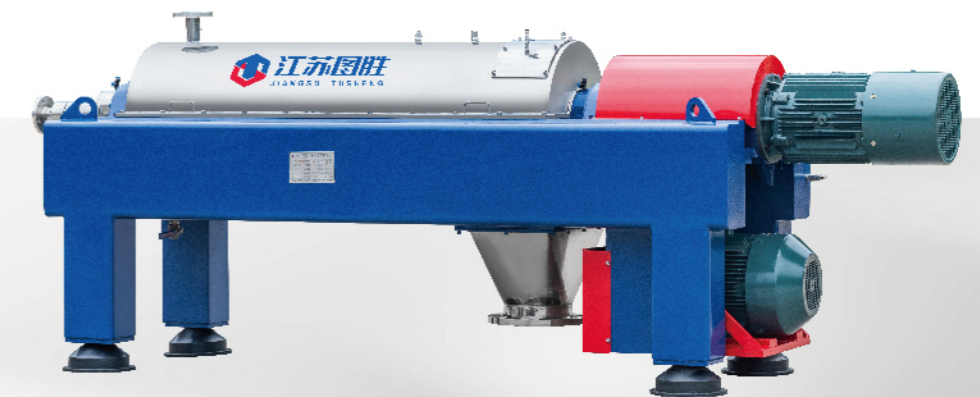
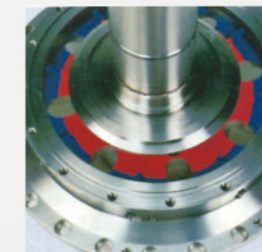
该机型主要用于物料的固-液分离。转鼓和螺旋以差速同向高速旋转，物料经进料管进入。在离心力作用下，固相物料沉积在转鼓壁上形成沉渣层，液相物料形成液相环，由转鼓壁开始向内依次形成固相层和液相层。螺旋将沉积在转鼓壁上的固相物料连续不断的推至转鼓锥端，经排渣口排出机外。液相经转鼓大端向心泵排出。

This machine type is used for solid-liquid separation of materials. The bowl rotates in the same direction as the spiral, but at a different speed. Material is fed into the bowl through the feed pipe. With the centrifugal force, the solid phase materials deposit on the bowl wall and form a sediment layer. The liquid phase materials form a liquid phase ring and a solid phase layer and a liquid phase layer successively from the bowl wall to the inward. The liquid phase then is discharged out through the bowl's centripetal pump at the large end.



> LWX 技术参数 Technical parameters

型号 Models	转鼓直径(mm) Bowl Diameter	长径比 L/D Ratio	转鼓转速(r/min) Bowl Speed	分离因数 G-force	主电机功率(kw) Main Motor Power	机器重量(kg) Weight	外形尺寸(长x宽x高Xmm) Dimension (L*W*H)
LWX355*1460	350	4.17	4000	3100	22	2020	3250*1000*1050
LWX420*1680	420	4	3500	3080	30-37	3500	3450*1350*1300
LWX530*2120	530	4	3200	3040	45-55	4200	4050*1650*1450

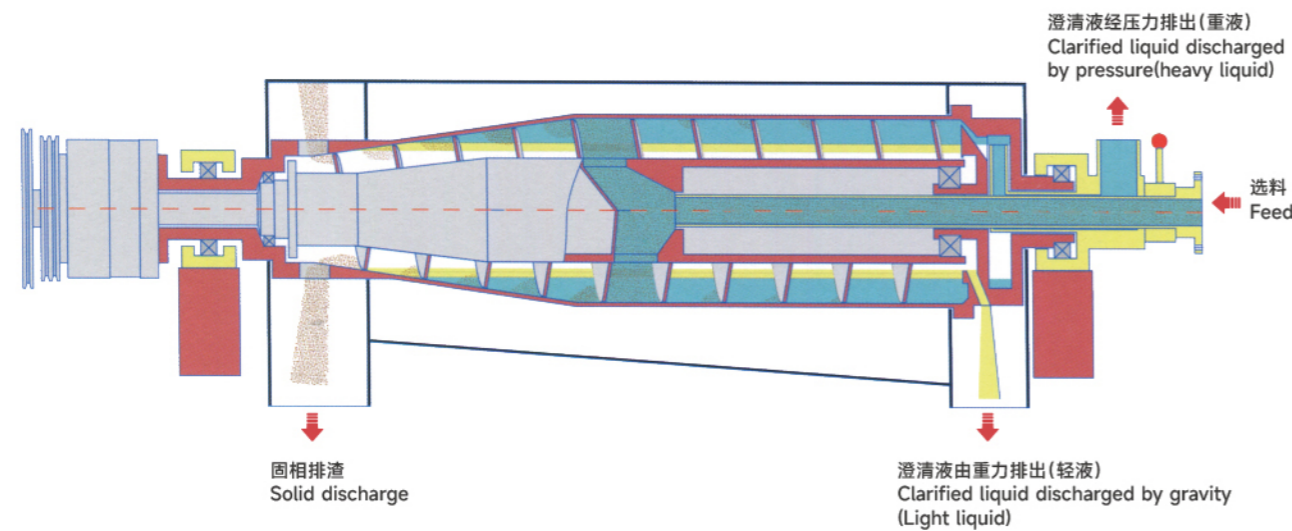


LWS 螺旋卸料沉降离心机 (三相分离型)

Three Phase Decanter Centrifuge

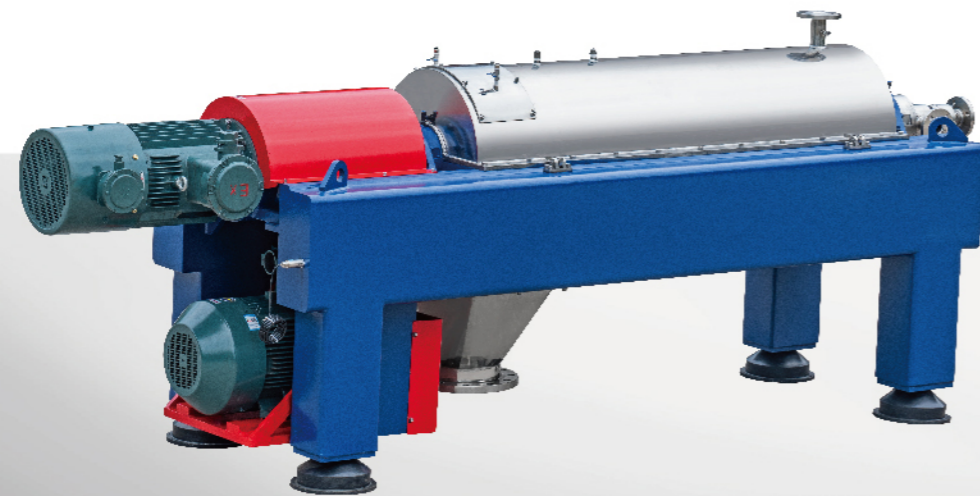
该机型主要用于液-液-固分离，即对一种固相（密度最大）和两种密度不同的液相进行分离。转鼓和螺旋以差速同向高速旋转，物料经进料管进入。在离心力作用下，固相物料沉积在转鼓壁上形成渣层，两种液相物料分别形成轻液相环和重液相环，由转鼓壁开始向内依次形成固相层、重液相层和轻液相层。螺旋将沉积在转鼓壁上的固相物料连续不断的推至转鼓锥端，经排渣口排出机外。轻液相由转鼓大端的溢流口连续溢出，重液相经转鼓大端向心泵排出。从而实现三相分离。

LWS series three phase decanter centrifuge is used for solid-liquid-liquid separation, namely one kind of solid phase (with largest specific gravity) and two kind of immiscible liquid phase with different density. The conveyor rotates in the same direction as the bowl, but at a different speed, the material is fed into the bowl through a stationary feed pipe. Centrifugal forces cause instant sedimentation of the solids on the wall of the bowl, while two liquid phases forming light liquid phase layer and heavy liquid phase layer. Scroll conveys the solids towards the conical end of the bowl, and out of centrifuge from solid discharge port. The light liquid phase then is discharged out continuously through the overflow port at the large end of the bowl, and the heavy liquid phase will be discharged out through the centrifugal pump large end of the bowl, thus realizing the three-phase separation.



> LW 技术参数 Technical parameters

型号 Models	转鼓直径(mm) Bowl Diameter	长径比 L/D Ratio	转鼓转速(r/min) Bowl Speed	分离因数 G-force	主电机功率(kw) Main Motor Power	机器重量(kg) Weight	外形尺寸(长x宽x高)mm Dimension (L*W*H)
LWS355*1460	350	4.17	4000	3100	22	2020	3250x1000x1050
LWS420*1680	420	4	3500	3080	30-37	3500	3450x1300x1300
LWS530*2120	530	4	3200	3040	45-55	4200	4050x1650x1450



LLW 卧式螺旋卸料过滤离心机

Horizontal Screen Worm Centrifuges

> LLW 工作原理 Operating principle

LLW型卧式螺旋卸料过滤离心机是种能耗低、性能稳定、分离效果好的机型。分离过程中的进料、脱水、洗涤、卸料等工序连续完成，生产效率和自动化程度高，是种先进的固液分离设备。

悬浮液从进料管进入螺旋内腔，并通过螺旋小头接近锥端底部的喷料口进入转鼓，在离心力场的作用下，料浆中的液相通过铺设在转鼓上的筛网被过滤出去，固相颗粒则被截留在转鼓内；同时，转鼓内的固相颗粒在离心力和螺旋与转鼓之间的相对差速作用下，从转鼓小端向转鼓大端运动，在此运动过程中，由于回转直径的加大，离心力得到快速递增，固相从初始进入时的较高含湿量到排出转鼓时达到最低含湿量固相，从而实现固液相自动、连续的分。

离心机内置洗涤管，可在滤饼过滤的同时对滤饼进行洗涤。由于是薄层滤饼洗涤，洗涤效果好，洗涤液消耗低。

在转鼓背面可设计蒸汽管，对转鼓背面结晶的物料进行高温洗涤。

螺旋差速器有摆线差速器，行星差速器和液压差速器三种配置，满足不同物料的分。



LLW series conveyor discharge screen centrifuge is the one with low energy consumption, stable performance and good separating effectiveness. The separation processing from feeding to dewatering, cleaning and discharging is continuous with high processing efficiency and high degree of automation. It is the advanced separation equipment.

The feed suspension is introduced to the centrifuge through a feed pipe and into the feed distribution chamber and is jetted into the basket through the hole near the cone point of the conveyor. Under centrifugal force the solids filtrate from the liquid and settle against the basket wall, while the clarified liquid exits over the overflow screen. The solids in the conical basket are conveyed up from the smaller end to the bigger end while the conveyor turns at a slightly different speed. The bigger diameter is, the bigger centrifugal force produces to separate the liquid/solids. The solids are dried when they are drained out the basket.

The washing pipe incorporated in the centrifuge can not only filter the solid cake, but also wash the cake. The thin cake washing achieves good effects of washing and consumes low amount of washing liquid.

A steam pipe may be provided on the back of the basket so as to wash the crystallized materials on the back at high temperature.

Gearbox: cycloidal gearbox, planetary gearbox and hydraulic gearbox so as to suit for separation of different materials.

LLW 卧式螺旋卸料过滤离心机

Horizontal Screen Worm Centrifuges

LLW卧式螺旋卸料过滤离心机广泛应用于化工、食品、盐、采矿、制药等行业。因其分离原理和结构特性，其对物料的针对性也较强，主要适用于具有较大颗粒度，对颗粒破碎没有严格要求的物料。在选型时应进行物料分析和相应的试验，以确定其适用和分离性能。（我们有超过上百种物料应用数据及成功经验，在选型时可与我们的技术人员进行沟通，以便获取更详尽的资料）。

LLW horizontal screw discharge filter centrifuge is widely used in chemical, food, salt, mining, pharmaceutical and other industries. Because of its separation principle and structural characteristics, it has strong pertinence to materials. It is mainly suitable for materials with large particle size and no strict requirements for particle breakage. Material analysis and corresponding tests should be carried out in order to determine its applicability and separation performance. We have more than 100 kinds of material application data and successful experience. We can communicate with our technicians in the selection of materials in order to obtain more detailed information.

LLW 主要特点 Main features

- 转鼓、螺旋等主要零件采用优质耐蚀不锈钢、钛合金等材料制造。
- 转鼓角度按工艺条件10°、20°可选。
- 专用过滤金属板网(厚度0.4-0.5mm)或梯形丝成型网(厚度4.5-5mm)可选。
- 变频控制，转鼓转速无级调速。
- 进料、分离、洗涤、脱水、推料连续完成，处理量大。
- 脂润滑或稀油润滑灵活配置，润滑方式简单可靠。
- 安全保护：可配置转速检测，过振动保护，电机过载过热保护。
- 对于大粘度物料，可选用液压差速器，工作稳定可靠。

- Main parts such as basket and conveyor are made of high-quality corrosion-resistant stainless steel and titanium alloy;
- 10° and 20° available for basket angle depending on the process conditions;
- Special filter metal plate-net(thickness 0.4 - 0.5mm) or trapezoid wire forming mesh (thickness 4.5 - 5mm) for optional;
- Variable-frequency control with stepless regulation basket rotating speed;
- Feeding, filtration, washing, dewatering and discharging to be done continuously offering large capacity;
- Flexible configuration of grease lubrication or thin oil lubrication, simple and reliable lubrication method;
- Safety protection: speed detection, over-vibration protection, motor overload and overheat protection, etc;
- Reliable and stable hydraulic gearbox for materials with high viscosity.

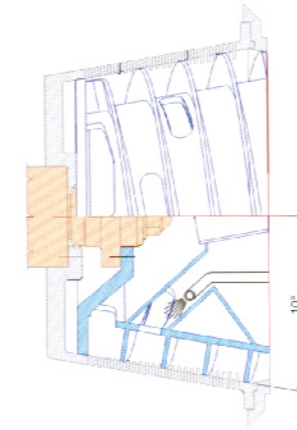
LLW 已成功应用于 Successfully used for

己二酸 Adipic acid	离子交换树脂 Ion Exchange Resin	甲酸钙 Calcium formiate	钾碱(碳酸钾) Potash	硫代硫酸铵 Ammonium thiosulphate
芒硝 Salt cake	氯化钠 Sodium chloride	硝酸钠 Sodium nitrate	酒石酸 Tarteric acid	偏硼酸钠 Sodium metaborate
吡唑 Pyrazolene	蒽 Anthracene	过硼酸钠 Sodium perborate	结晶苏打 Crystalsoda	硫酸铜 Copper sulphate
AH-盐 AH-salt	氯酸钠 Sodium chlorate	磷酸钠 Sodium phosphate	钾矾 Potash alum	冰醋酸 Glacial acetic acid
过硫酸铵 Ammonium persulphate	阿司匹林 Aspirin	柠檬酸 Citric acid	磷酸三钠 Trisodium phosphate	氯化钾 Potassium chloride
石膏 Gypsum	甲酸钠 Sodium formiate	硫酸钠 Sodium sulphate	碳酸氢钾 Potassium bicarbonate	五硫化二钾 Potassium pensulphate
硝酸银 Silver nitrate	硫酸锰 Manganese sulphate	聚苯乙烯 Polystyrene	硫酸锌 Zine sulphate	磷酸钾 Potassium phosphate
磷酸铵 Ammonium phosphate	硼砂 Borax	聚苯乙烯醇 Polyvinylacohol	季戊四醇 Pentaerythrite	硫酸钾 Potassium sulphate
硫酸铵 Ammonium sulphate	甲基纤维素 Methyl cellulose	大苏打 Sodium thiosulphate	塑料颗粒 Plastic granules

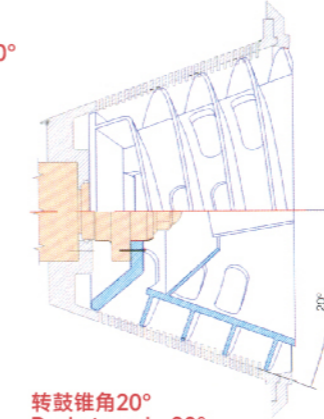
LLW 技术参数 Technical parameters

项目 Items	LLW320	LLW350	LLW450	LLW530	LLW630	LLW800	LLW1000
转鼓直径 Basket Dia (mm)	320	350	450	530	630	800	1000
转鼓转速 Max. Rotating speed(r/min)	2630	3000	2500	2000	1800	1400	900
分离因数 Centrifuge force	1240	1770	1580	1190	1140	870	445
生产能力 Productivity(m³/h)	0.5-3	1-5	2-8	3-10	5-15	8-20	10-50
主电机功率 Main Motor Power(kw)	7.5	11	22	30	45	55	75
机器重量 Weight(kg)	700	1200	1700	2500	3500	4000	6200
外形尺寸 Dimension(L*W*H)(mm)	1350*1050*1000	1550*1150*1050	1650*1350*1200	1650*1400*1350	2100*1550*1650	2300*2200*1750	3200*2150*2250

LLW 转鼓锥角 Basket angle



转鼓锥角10°
Basket angle 10°



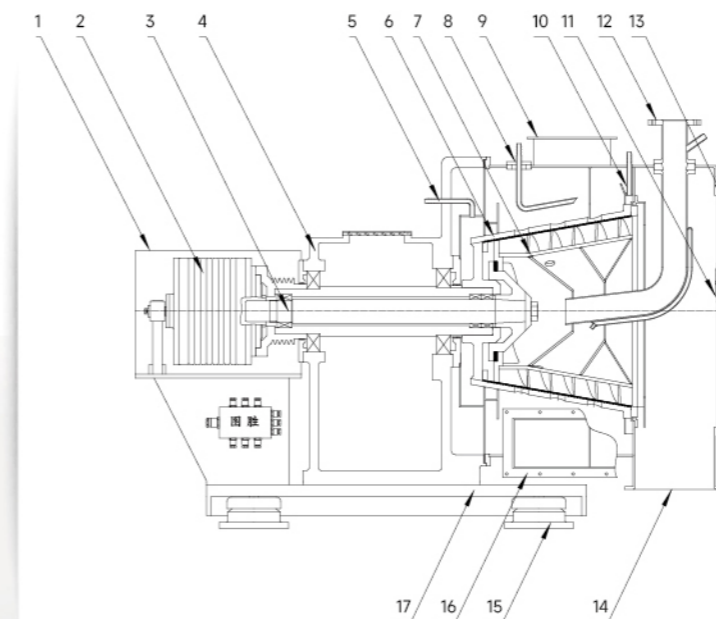
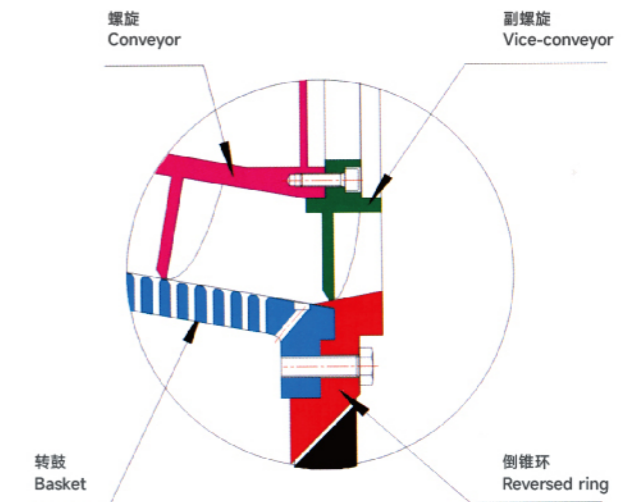
转鼓锥角20°
Basket angle 20°

10°: 当要求对滤饼进行洗涤时首选这个角度的转鼓。

20°: 这个标准角度对大多数物料的分离被证明是极好的，固相从小头到大头随着越来越大的离心力滑动，几乎不需要螺旋太大的推动力。

10° When washing is required, the 100 basket angle is the first choice.

20° This standard angle has been proven to be perfect for separating most of materials No large pushing force is required from the conveyor because the solid phase slips from the small end to the large end with the increased centrifugal force.



- 差速器防护罩 1. Differential shield
- 差速器 2. Differential
- 主轴传动部件 3. Spindle drive unit
- 轴承箱体 4. Bearing housing
- 外转鼓清洗管 5. External drum cleaning tube
- 外转鼓 6. External drum
- 内螺旋 7. Inside spin
- 外转鼓壁清洗管 8. External rotating drum wall cleaning tube
- 排气口 9. Exhaust port
- 外转鼓边清洗管 10. Outside drum cleaning pipe
- 视镜(带刮板) 11. Sight glass (with scraper)
- 进料洗涤管 12. Feed wash pipe
- 门盖装置 13. Door cover device
- 出料口 14. Discharge opening
- 减振器 15. Shock absorber
- 出液口 16. Liquid outlet
- 机座 17. Engine bed

LLWZ 浓缩过滤离心机

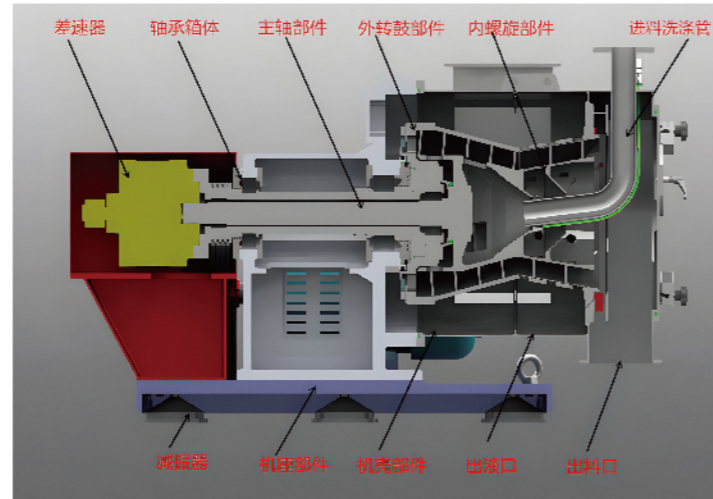
Thickening Screen Worm Centrifuge

> 工作原理 Operating principle

- 该机型是悬臂式浓缩过滤组合式离心机，在两个不同的分离阶段上将卧式螺旋卸料沉降离心机与卧式螺旋卸料过滤离心机的工作原理和特点结合起来，达到最佳的分离效果。

- 在第一个固液分离阶段，物料在转鼓沉降区域脱水，将分离浓缩后的固体推至过滤区域，清液则从溢流口排出；在第二个固液分离阶段，浓缩过的物料在过滤转鼓中脱水进一步降低固相中的含水率。

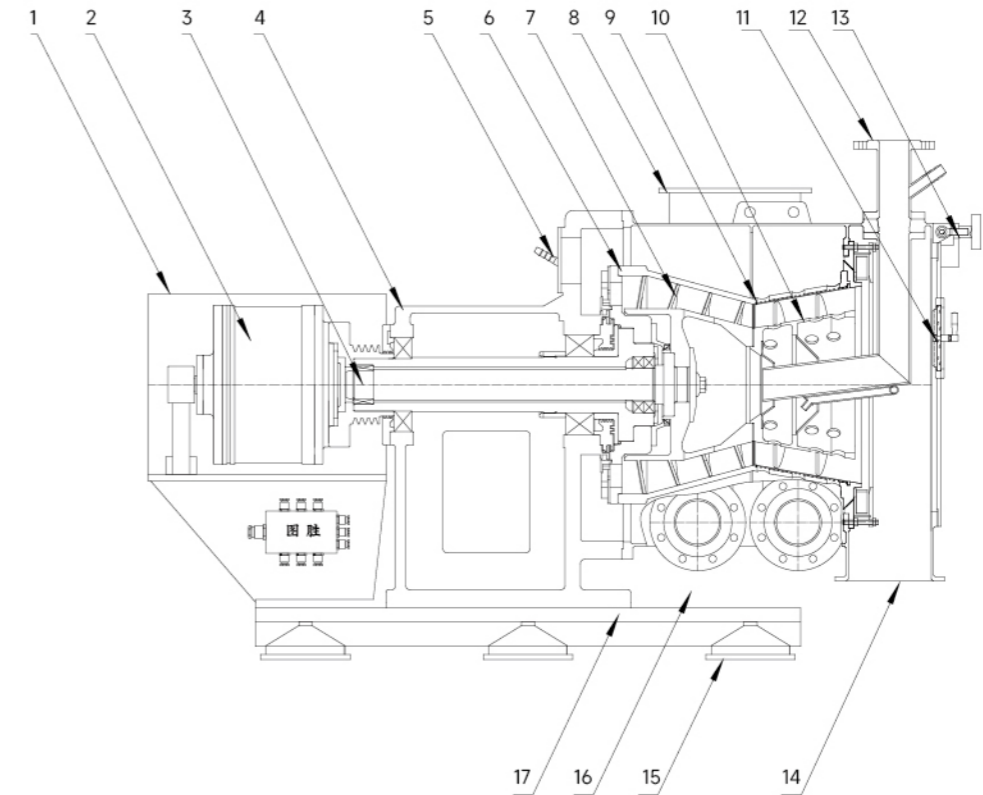
- 该机型特别适用于化工、制药等行业中的固液分离，其具有处理量大，分离后的固相含水量低等特点。尤其针对母液含固量低或者母液中含少量油性、胶体物质的工况、效果更明显。



- It is a combination of a solid bowl decanter centrifuge and a screen worm centrifuge with exceptional dewatering results. In the decanter component, the feed suspension is first pre-thickened, i.e. it is extensively dewatered in the conical part of the solid bowl. The liquid is clarified in the cylindrical part and finally discharged.
- The pre-thickened solids are transported into the cylindrical screen section by the worm where additional dewatering is achieved.
- This centrifuge is particularly applicable for the solid-liquid separation in chemical pharmaceutical and other industries. It features large processing capacity and low moisture rate of solid content. Especially for conditions that mother liquid with low solid concentration or mother liquid with small amount of oil substance, with better effect.

> LLWZ 技术参数 Technical parameters

型号 Models	转鼓直径(mm) Bowl Diameter	转鼓转速(r/min) Bowl Speed	分离因数 G-force	生产能力(m ³ /h) Productivity	主电机功率(kw) Main Motor Power	机器重量(kg) Weight	外形尺寸(长x宽x高)mm Dimension (L*W*H)
LLWZ450	450	2500	1574	2-6	30	2500	1750*1400*1450
LLWZ650	650	1600	931	3-8	55	4000	2600*1700*1950
LLWZ900	900	1200	725	5-15	90	5000	2900*2150*2350



- | | | |
|--|--|----------------------------|
| 差速器防护罩 1. Differential shield | 沉降螺旋 7. Settling screw | 门盖装置 13. Door cover device |
| 差速器 2. Differential | 排气口 8. Exhaust port | 出料口 14. Discharge opening |
| 主轴传动部件 3. Spindle drive unit | 过滤转鼓 9. Filter drum | 减振器 15. Shock absorber |
| 轴承箱体 4. Bearing housing | 过滤螺旋 10. Filter screw | 出液口 16. Liquid outlet |
| 外转鼓底清洗管 5. External drum cleaning tube | 视镜(带刮板) 11. Sight glass (with scraper) | 机座 17. Engine bed |
| 沉降转鼓 6. Settling drum | 进料洗涤管 12. Feed wash pipe | |



卧式刮刀卸料离心机

HORIZONTAL SCRAPER DISCHARGE CENTRIFUGES

GKF / GKH / GK
卧式刮刀卸料离心机
Peeler Centrifuges

GKF
洁净型卧式刮刀卸料离心机
Pharma Peeler Centrifuges

GK / GKH
卧式刮刀卸料离心机
Peeler Centrifuges

GKF / GKH / GK 卧式刮刀卸料离心机

Peeler Centrifuges

卧式刮刀卸料离心机是连续运转、间歇操作的过滤式离心机，其控制方式为自动控制，也可手动控制。

离心机操作过程中的进料、分离、洗涤、脱水、卸料及滤布再生等过程均可在全速状态下完成，单次循环时间短，处理量大，并可获得较干的滤渣和良好的洗涤效果。

卧式刮刀卸料离心机广泛应用于化工、制药、食品等行业。

虹吸式卧式刮刀卸料离心机是在普通卧式刮刀卸料离心机的基础上，增加了虹吸功能，利用虹吸原理增加过滤推动力，透过滤介质的滤液全部进入滤液室，滤液通过虹吸管排出转鼓，调节虹吸管吸入口位置可改变虹吸室内液面深度，以改变过滤推动力，调节过滤速度、处理能力，滤饼的含湿量以及洗涤效率。

设置反冲装置，可在需要时向虹吸室内加入反冲液，洗涤液经过滤介质流向转鼓内，使过滤介质恢复过滤性能，得以再生。

虹吸式卧式刮刀卸料离心机适合于生产量大、要求滤饼含湿量低并充分洗涤的场合。



Peeler centrifuge is continuously rotating and intermittently operation centrifuge. It can be either automatic control or manual control. The whole process of operation including materials feeding separating, cleaning, dewatering discharging and filter cloth recycling can be achieved at full speed. Single cycle of processing materials is shortly but with large quantity. The solids cake can be well dried and cleaned. Horizontal scraper discharge centrifuge is widely used in chemical, pharmaceutical, food and other industries.

The siphon horizontal scraper discharging centrifuge is based on the ordinary horizontal scraper discharging centrifuge. It adds the siphon function. The siphon principle is used to increase the filter impetus. All filtrate through the filter medium enters the filter chamber. The filtrate discharges the drum through the siphon tube. The siphon chamber liquid can be changed by adjusting the position of the siphon suction port. The surface depth is used to change the impetus of filtration, adjust the filtration speed, processing capacity, moisture content of filter cake and washing efficiency.

The backwashing device can add backwashing liquid to the siphon chamber when needed, and the washing liquid flows to the drum through the filter medium, so that the filter medium can recover its filtering performance and regenerate. The siphon horizontal scraper discharge centrifuge is suitable for the occasion of large production, low moisture content of filter cake and full washing.



GKF 洁净型卧式刮刀卸料离心机

Pharma Peeler Centrifuges

GKF洁净型卧式刮刀卸料离心机是连续运转、批处理操作的过滤式离心机，结构和系统设计符合制药行业中的GMP要求，批处理循环时间短，处理量大，并可获得较好的过滤（滤饼含水率低）和洗涤效果。离心机主要性能和用途为：

隔墙式安装形式设计，工作区域与机座、传动、液压、润滑等结构装置完全隔离；独立式液压系统和润滑系统；配置全自动在线监测的氮气保护系统；在线清洗系统；气体反吹式残余滤饼去除装置；在线灭菌系统；PLC可编程控制、变频调速、电阻式能耗制动等。

离心机操作过程中的进料、分离、洗涤、脱水、卸料及滤布再生、在线清洗、在线灭菌、氮气保护等过程按预先设定的程序运行。控制方式为全自动控制，也可脱机手动操作。

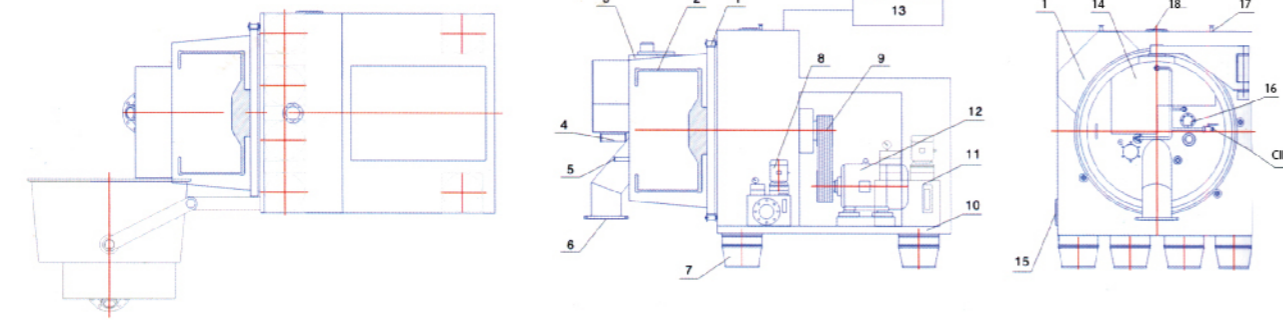
GKF洁净型卧式刮刀卸料离心机适用于粘度小、卫生要求高、有毒有害、易燃易爆介质的固液分离。主要用于制药、食品等工业领域的生产。

GKF pharma Peeler Centrifuge is filter type centrifuge with continuous running and batch operation, GMP requirements have been full taken into consideration in structure and system design, batch time is short, its processing capacity is large, it may achieve rather dry sludge(Filter cake contains low moisture) and good washing effect.

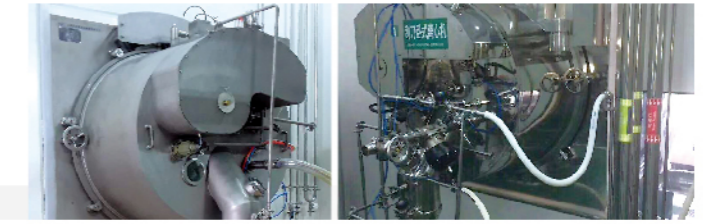
Clean room installation fully separates the working area from machine stand, drive, hydraulic, lubrication device, it is allocated with nitrogen protection system, CIP system, Online sterilization system, PLC program control, inverter start-up, high speed resistance dynamic braking.

Feeding, filtration, washing, dewatering, discharging and regeneration of filter cloth, CIP Online sterilization, nitrogen protection are operated by pre-set programs. The control system includes automatic control and manual control.

GKF pharma peeler centrifuge is suitable for solid-liquid separation for hazardous, toxic and flammable medium with small viscosity and high sanitation requirements. It is mainly used in solid-liquid separation of medicals and food industries.



- | | | |
|------------------------|-------------------------------|---------------------------------------|
| 锁紧装置 1. Locking device | 减振器 7. Vibration isolator | 氮气保护系统 13. Nitrogen protection system |
| 转鼓 2. Basket | 润滑系统 8. Lubrication system | 刮刀系统 14. Scraper assembly |
| 外壳翻盖 3. Turn-cover lid | 传动部件 9. Transmission assembly | 出液管 15. Drain pipe |
| 进料管 4. Feeding pipe | 机座 10. Base | 料层控制器 16. Cake layer controller |
| 洗涤管 5. Washing pipe | 液压站 11. Hydraulic station | 气体反吹 17. Gas counter-blow |
| 出料管 6. Drain pipe | 主电机 12. Main motor | 排气管 18. Vent pipe |



> GKF 主要特点 Main features

- 全密闭、洁净型结构设计，符合GMP规范要求，满足药品、食品的卫生要求。
- 隔墙式结构设计，电机传动、液压润滑等动力系统与转鼓、机壳、进出料装置等，生产区通过机座面板与墙体的柔性连接，完全隔离。
- 采用PLC控制，按预定程序自动运行。触摸屏操作、可实现人机对话，操作维护方便。
- 执行元件采用电-气-液自动控制，进料、分离、洗涤、脱水甩干、卸料、残余滤饼去除、在线清洗、在线灭菌等全过程监控。
- 机壳为整体大翻盖形式，便于对转鼓及工作区域全部部件进行完全清洗；快开式液压锁紧结构，操作方便可靠。
- 采用变频控制，转鼓速度无级可调。可按要求设定进料、分离、洗涤、脱水、卸料、残余滤饼吹扫等工艺速度。
- 液态阻尼式隔振装置，无需浮动平台，机器运转平稳。
- 双重主轴密封结构设计，确保洁净区不被润滑油及其它污染物污染。所有密封件均采用氟橡胶和硅橡胶等。
- 完善的多重安全保护系统，转速监控，过振动保护，开盖保护，电机过热过载保护，门盖锁紧电-液联锁保护、刮刀限位保护、主轴温升保护、润滑断油保护等装置保证离心机的安全运行。
- 离心机洁净区采用优质不锈钢制造，与物料接触部分表面高等级镜面抛光，符合耐腐蚀和卫生要求。
- 气体反吹装置，可在刮料时辅助刮刀卸料，有效去除残余滤饼层。
- 在线清洗系统，在离心机中内外表面，转鼓底、卸料斗、门盖等部位设置多个喷淋球，可在线对工作区内部进行冲洗，达到工艺上的洁净度要求。
- 全自动在线监测的氮气保护系统，确保离心机始终在惰性气体的正压下工作，必要时可配置在线氧量分析仪，以实现防爆要求的目的。
- 可配置在线灭菌装置（VHP），对离心机内腔及管路进行在线灭菌。
- Fully-enclosed and clean structural design complies with cGMP requirements and meets requirements for aseptic production of medicine and food.
- Clean room installation design realize flexible connections and complete separates the dynamic systems such as the motor drive and hydraulic lubrication from production area such as the basket, case and feeding/discharging devices and the wall.
- PLC control for automatic operation is in accordance with the pre-set program. Touch screen operation, realizing human-machine dialogue, which is easy for operation and maintenance.
- Action elements like feeding, filtration, washing, dry spinning, discharging, residual cake removal, CIP and online sterilization is with automatic electro-pneumatic-hydraulic control.
- Big hinged cover design makes it easy to clean all parts in the basket and the operation zone. Quick-opening hydraulic locking device ensures easy and reliable operation.
- The drum speed can be adjusted steplessly by frequency conversion control. The process speed of feeding, separating, washing, dewatering, discharging and residual filter cake cleaning can be set as required.
- Liquid-damping vibration isolators without floating platform ensure stable operation of the centrifuge.
- Dual shaft seal structure design protects the clean room from contamination of lubrication oil and other pollutants. All seals are made of the fluorocarbon rubber and silicon rubber
- Multiple safety protection system: includes rotation speed monitoring, over-vibration protection, cover opening protection, motor overload and overheat protection, electric-hydraulic interlocking protection for cover locking device, scraper limit protection, main shaft temperature rise protection, lubrication oil failure protection and other devices.
- With high-quality stainless steel material of construction for the centrifuge and high-grade mirror finishing surface treatment, which meets the requirements for anti-corrosion and sanitation.
- Gas counter-blow device helps removing the residual solid cake while scraping.
- CIP system and spray cleaning balls mounted on the internal/external surfaces, basket bottom, discharge hopper and cover effectively remove the remaining solid from the basket and the interior of the housing.
- Fully-automatic online monitoring nitrogen protection system ensuring the centrifuge operates at positive pressure of inert gas, and if necessary, online oxygen volume analyzer may be provided so as to meet the requirements of explosion-proof.
- Online sterilizing device can be configured (VHP), carry out the online sterilization for centrifuge inner cavity and pipeline.

> GKF 技术参数 Technical parameters

项目 Items	GKF800	GKF1000	GKF1250	GKF1600
转鼓直径 Basket Dia (mm)	800	1000	1250	1600
转鼓长度 Basket Length (mm)	400	500	625	800
转鼓容积 Basket volume (L)	100	172	340	690
最大装料量 Max. load (kg)	125	240	425	950
转鼓转速 Max. Rotating speed (r/min)	1600	1400	1200	950
分离因数 Centrifuge force	1145	1090	1007	808
电机功率 Motor (kw)	30	37	55	90
外形尺寸 Dimension (LxWxH) (mm)	2500*1850*1800	2450*1800*2000	3850*2450*2100	4200*2700*2800
机器重量 Weight (kg)	5500	8500	16000	20000

GK / GKH 卧式刮刀卸料离心机

Peeler Centrifuges

> GK/GKH 主要特点及配置选择 Main features and configurations

- 采用PLC可编程序控制，可实现远距离监控、触摸屏操作人机对话，操作维护方便。
- 动作元件采用电-气-液压自动控制。
- 多重安全保护：转速检测、过振动保护、开盖保护、电机过载过热保护、刮刀旋转机械/电气双重控制。
- 焊接式整体机架，结构紧凑，机器承载强度高。
- 全密闭结构，密封件采用硅橡胶或氟橡胶等。
- 独立式液压站，可隔离安装、方便检修。
- 采用变频控制，转鼓速度无级可调。可按要求设定进料、分离、洗涤、脱水、卸料等工艺速度。
- 浮动平台底座，橡胶减振基础。亦可选用液态阻尼减振器，减振效果优越，机器运转平稳，减小机器振动对设备和环境的危害。
- 一种出料方式选择：斜槽开放式出料结构简单；螺旋输送机与刮刀集成卸料，滤饼收集率高，有效防止堵料。
- 虹吸式离心机具备虹吸推动力，过滤速度更快。可配置反冲洗装置，对过滤介质进行洗涤，实现滤布再生。还可配置撇液装置。适用含蛋白等胶体物质的物料分离。
- PLC control for long-distance monitoring, touch-screen operation and human-machine dialogue for easy maintenance and operation.
- Action elements with automatic electric- pneumatic/hydraulic control.
- Safety protection: includes rotation speed monitoring, over-vibration protection, cover opening protection, motor overload and overheat protection, dual control with both mechanical and electrical for scraper
- Welded machine case, strong and rationally design structure.
- All seals are made of the fluoruous rubber and silicon rubber.
- Independent hydraulic station can be installed separately convenient to repair.
- The drum speed can be adjusted steplessly by frequency conversion control. The process speed of feeding, separating, washing, dewatering and unloading can be set as required.
- Floating platform with rubber vibration-absorbing foundation; Liquid -damping vibration absorber is also available with excellent effects of absorbing effects, ensures stable operation of the centrifuge and reducing hazards imposed to the equipment and environment from the centrifuge vibration.
- Two discharging modes available: chute discharging featuring simple construction; and discharging through scroll conveyor and scraper featuring high catching rate of solid cake and effectively prevent blocking.
- The siphon centrifuge has the siphon driving force and the filtering speed is faster. A backwash device can be configured to wash the filter medium and regenerate the filter cloth. It can also be equipped with skimming device. It is suitable for material separation of colloidal substances such as proteins.

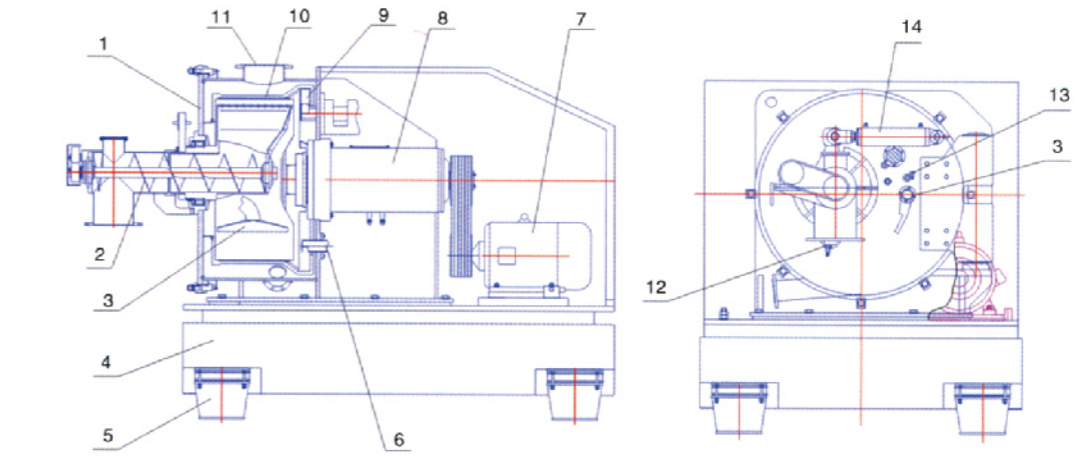
> GK 技术参数 Technical parameters

项目 Items	GK800	GK1000	GK1250	GK1600
转鼓直径Basket Dia (mm)	800	1000	1250	1600
转鼓长度Basket Length (mm)	450	500	625	800
转鼓容积Basket volume (L)	100	165	370	690
最大装料限量Max. load (kg)	135	225	500	930
转鼓转速Max. Rotating speed (r/min)	1550	1400	1200	950
分离因数Centrifuge force	1080	1090	1007	808
电机功率Motor (kw)	30	37	55	90
外形尺寸Dimension (LxWxH) (mm)	2550*1850*1350	2400*2150*1700	3450*3300*2500	4200*2750*2300
机器重量Weight (kg)	3500	6000	7500	15000

> GKH 技术参数 Technical parameters

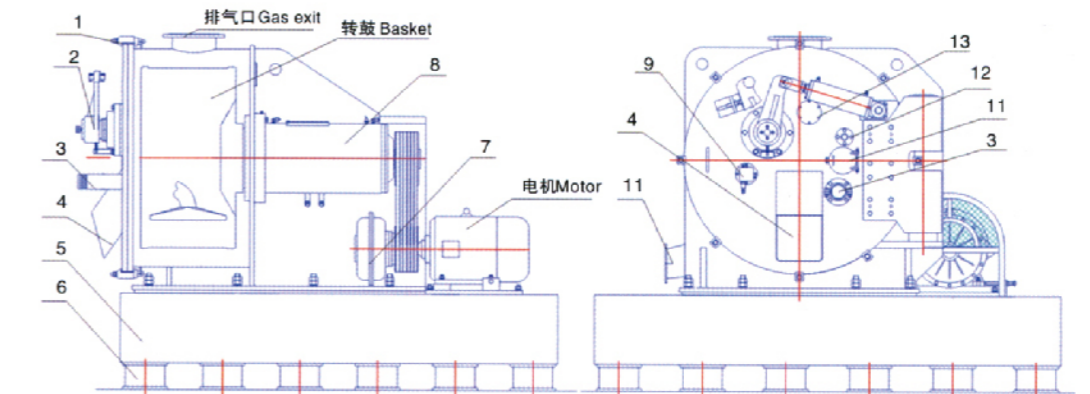
项目 Items	GKH800	GKH1000	GKH1250	GKH1600
转鼓直径Basket Dia (mm)	800	1000	1250	1600
转鼓长度Basket Length (mm)	450	500	625	1000
转鼓容积Basket volume (L)	100	165	370	830
最大装料限量Max. load (kg)	135	225	500	1000
转鼓转速Max. Rotating speed (r/min)	1550	1400	1200	950
分离因数Centrifuge force	1080	1090	1007	808
电机功率Motor (kw)	45	55	90	132
外形尺寸Dimension (LxWxH) (mm)	2550*1850*1350	2400*2150*1700	3450*3300*2500	4550*2750*2300
机器重量Weight (kg)	4000	6500	8000	17000

GKH



- 门盖 1. Lid
- 螺旋输送机 2. Screw conveyor
- 进料管 3. Feeding pipe
- 浮动平台 4. Floating platform
- 减振器 5. Vibration isolator
- 反洗装置 6. Back washing device
- 主电机 7. Main motor
- 传动部件 8. Transmission assembly
- 虹吸管 9. Siphon
- 转鼓部件 10. Basket assembly
- 排气口 11. Vent pipe
- 料位探测器 12. Cake layer controller
- 洗涤管 13. Washing pipe
- 刮刀油缸 14. Oil cylinder of scraper

GK



- 锁紧装置 1. Locking device
- 刮刀装置 2. Scraper device
- 进料管 3. Feeding pipe
- 出料口 4. Solid outlet
- 隔振块 5. Vibration isolator block
- 减振垫 6. Shock absorber cushion
- 液力耦合器 7. Hydraulic coupling
- 轴承座 8. Bearing seat
- 料层控制 9. Cake layer controller
- 出液管 10. Drain pipe
- 检查手孔 11. Check hole
- 洗涤管 12. Washing pipe
- 备用口 13. Spare opening

